



Zip Water

The world's most advanced
range of drinking water solutions

For work and home





Left: Zip HydroTap Arc in rose gold
Above: Zip HydroTap Arc in brushed rose gold

The Zip drinking water range



HydroTap Design range

Stand alone boiling, chilled and sparkling water tap (no mixer)

Arc, Cube, Elite 28

HydroTap Classic range

HydroTap Classic 34

HydroTap Classic Industrial 36
Top Touch, Side Touch

Boiling, chilled and sparkling water combined with mixer tap

HydroTap All-in-One Classic 38



HydroTap Celsius range

Boiling, chilled and sparkling water combined with mixer tap

HydroTap All-in-One Celsius Arc 42

HydroTap Celsius Arc 44

HydroTap Celsius Cube 46

— 48
Mixer Taps

HydroTap filters and CO₂ 52



HydroChill range

Chilled and sparkling water dispensers

HydroChill HC10 Counter-Top 62

HydroChill HC20 Counter-Top 64

HydroChill HC50 Under-Counter 66

— 69
HydroChill glassware

Consumables and accessories 70



HydroBoil range

On-wall boiling water

EconoBoil 74

HydroBoil 75

HydroBoil Plus 76

—
Consumables and accessories 77



Chilled water

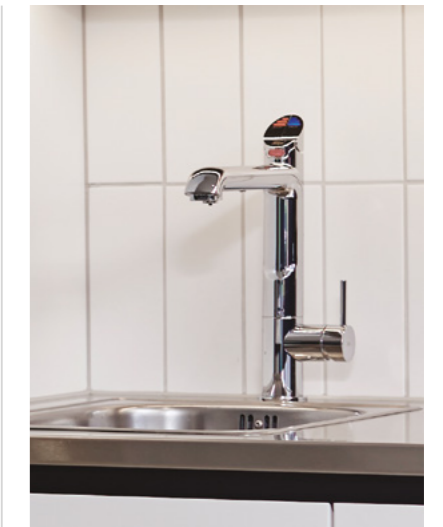
Chilled and filtered water

ChillTap Extra 78

ChillTap 78

FilterTap 78

Chillmaster 80



Technical and service

Warranty 82

HydroCare 83

Book your CPD 84

Accreditations 85

Sectors 86

Case studies 90

Zip Water portal 94

Technical data 96



Zip HydroTap All-in-One Classic in matt black finish
Thomas House, The Office Group

70 years of innovation

With unrivalled expertise in filtered boiling, chilled and sparkling water, Zip Water is known globally for being home to the world's most advanced range of drinking water solutions.

Founded in Australia in 1947, we've always been innovators, advancing and perfecting our drinking water technology for decades. Today, we provide businesses and homes in more than 70 countries with an extensive range of high performance systems to suit any requirement.

Thousands of offices, hospitals, schools, restaurants and residential properties are now benefitting from the purest tasting and cleanest water possible thanks to our cutting edge water filtration technology. And we're proud of the positive impact our drinking water systems have on people's health, wellbeing and productivity.

Transforming the way organisations provide drinking water for employees and visitors alike, our products marry state-of-the-art functionality with modern design, while also helping businesses save valuable time and money.

What's more, our commitment to sustainability means that these same businesses can rely on Zip Water to provide energy efficient, eco-conscious systems that tackle global issues, such as reducing damaging plastic bottle waste.

Think drinking water, think Zip Water.

John Doumani, CEO Zip Industries

Reuse. Refill. Refresh.

The horrifying damage that plastic does to the environment has been well-publicised, with particular emphasis on the over-reliance of single-use plastic bottles.

In addition, a recent study has discovered plastic particles in the majority of bottled water, opening up wider questions about the purity of bottled water and what health effects these particles may have on those ingesting them.

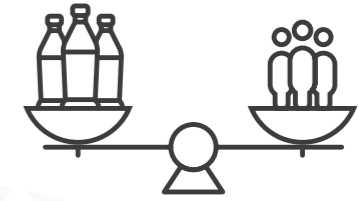
Luckily, it's easier than ever to reduce the amount of single-use plastic bottles we buy and throw away, both in the home and in the workplace. By choosing a highly filtered drinking water system from Zip, there's no need to buy single-use plastic bottled water. Our drinking water systems can be used to refill reusable bottles with clean, pure tasting water, benefiting the environment and the health of the user.

To demonstrate our commitment to helping businesses reduce their plastic waste, we've launched the Reuse Refill Refresh campaign. For more information, please visit zipcommercial.co.uk/rrr

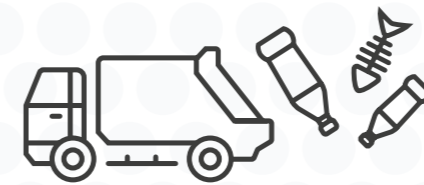


600k

Tonnes of plastic bottle waste are produced in the UK each year¹



One year's production of plastic bottles has the equivalent weight of all humanity²



16m plastic bottles a day go into UK landfill, are burned or leak into the ocean⁴

38.5m

Plastic bottles are used everyday in the UK³

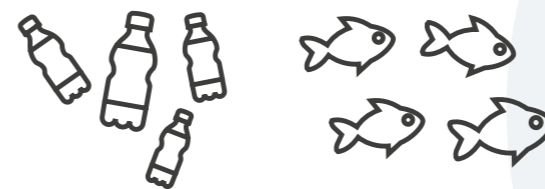


THE MICROPLASTIC DILEMMA

92% of tap water and 93% of bottled water has been found to be contaminated with microplastics⁶

1:1

Predicted plastic to fish ratio in the year 2050⁵



¹Source: Environmental Services Association

²Source: Statista, PlasticsEurope

³Source: The Guardian

⁴Source: Recycle Now via The Guardian

⁵Source: The Ellen MacArthur Foundation

⁶Source: Orb Media



TEN REASONS TO SPECIFY ZIP

The world's most advanced range of drinking water solutions

Drinking water is one of life's simple necessities that we often take for granted. However, you may be surprised to discover just how much of a positive impact the right drinking water solution can have, from improved wellbeing and productivity, to sustainability and cost savings.

One thing is for sure – tap water as we know it is a thing of the past. You have many options when it comes to mains-fed drinking water solutions. We want to ensure that you have the information and support you need to make the right choice.

As creators of the world's most advanced drinking water system – the HydroTap – our expertise in filtered boiling, chilled and sparkling water is second to none. World-leading water filtration, cutting-edge energy efficiency technology, unique safety features and a trusted track record across the globe mean you can be confident when choosing a Zip drinking water system.

Want to know more? Read on for the top ten reasons to choose Zip.

Featured product

Zip HydroTap All-in-One Classic in bright chrome finish
151 Wardour Street, The Office Group



Zip HydroTap

Water options available:



FILTERED
BOILING



FILTERED
CHILLED



FILTERED
SPARKLING



FILTERED
AMBIENT¹



UNFILTERED
HOT & COLD



Zip HydroChill

Water options available:



FILTERED
CHILLED



FILTERED
SPARKLING



Zip HydroBoil

Water options available:



BOILING

#01

The widest choice of drinking water systems

Boiling, chilled and sparkling plus hot and cold water, any way you want it. We offer the widest choice of water options and drinking water systems on the market for both the home and workplace. So, whether you need a complete refreshment solution for a busy multi-story office or filtered chilled drinking water for a hospital or school, we can help.

You're not limited when it comes to capacity either. With models that can dispense up to 240 cups of boiling water and 373 bottles (750ml) of chilled and sparkling water per hour – businesses of all sizes are catered for.

Featured product
Zip HydroTap Celsius Arc
in brushed rose gold finish

¹ 'Ambient' describes the temperature of the water where there is no additional heating or chilling to the incoming cold water supply. You may need to run the tap for a while to get it to a suitable temperature.

#02

First-class filtration

A 2018 international study, commissioned by Orb Media, found that 93% of bottled water and 92% of tap water was contaminated with microplastics. Thanks to our advanced MicroPurity filtration technology, Zip drinking water systems filter out particles bigger than 0.2-micron to deliver the purest tasting water on the market, free from odours and contaminants, including microplastics.

In fact, our flagship product, the HydroTap G4, offers 25 times better filtration than a standard water filter jug, making it the best of any instant filtered water tap in the world.

To achieve 0.2-micron filtration, our premium filters combine carbon and sediment blocks into one cartridge. They not only remove dirt, bacteria, microplastics and contaminants from the water that other systems may not remove, but also up to 97% of chlorine and 99.9% of microbiological cysts, if present.



93%

93% of bottled water shows signs of microplastic contamination. (BBC News)



x22

Bottled water contains 22 times more microplastic than tap water on average. (The Guardian)



1,769

A typical person could be consuming 1,769 microplastic particles from water alone each week. (Evening Standard)

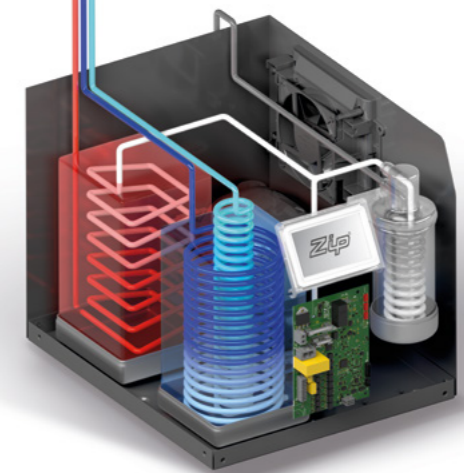
#03



Innovative technology

Leading the way in both performance and functionality, the technology behind our range of drinking water solutions is truly cutting-edge, delivering the purest, safest tasting water possible.

The HydroTap's fourth generation G4 technology has been perfected over 70 years of development and innovation, our drinking water systems are not only a breeze to maintain, but include exclusive features to save organisations energy, water and time.



G4

SMART.
SUSTAINABLE.
TECHNOLOGY.

#04

The sustainable choice

In this day and age the importance of sustainability for businesses and consumers cannot be underestimated. Increasingly, sustainability is aligned with the objectives and ethos of many organisations – with Zip Water being no exception.

As a specifier, you have the unique opportunity to positively impact the planet by choosing a drinking water solution that is energy efficient and eliminates the need to buy plastic bottled water.

Responsible manufacturing

Organisational dedication to sustainability



Low impact design

Complies with RoHS EU Directive 2011/65/EC



World class environmental credentials

Providing transparent product life cycle impact



Innovative air-cooled technology

Making the HydroTap 100% water efficient



Smart energy saving modes

Auto-sleep function



Advanced energy management system

Reduces power consumption by up to 30%*



Eliminates the need for bottled water

Reducing your environmental impact



*Testing conducted by UNSW Global Pty Limited / Unisearch Expert Opinion Services 2014. Reference J084514.




Save time and energy

Did you know that office staff waste an average of four working days a year making hot drinks with a kettle?*

With the convenience of our reliable instant boiling water systems, businesses can improve efficiency while reducing running costs.

It's not just employees who will be more efficient – all our products have been designed to handle any level of demand, from busy workplaces to bustling family kitchens, all while saving power. Our cutting-edge energy efficient technology keeps the water flowing without wasting a drop, meaning users can benefit from reduced electricity and water bills.



OFFICE STAFF WASTE AN AVERAGE OF FOUR WORKING DAYS A YEAR MAKING HOT DRINKS WITH A KETTLE!

*Study published in The Telegraph

#05

HYDROTAP BENEFITS:

Has an auto-sleep function that powers down the command centre after a period of inactivity

Maintains the water temperature so it doesn't waste energy

Eliminates the need for **energy-guzzling kettles**

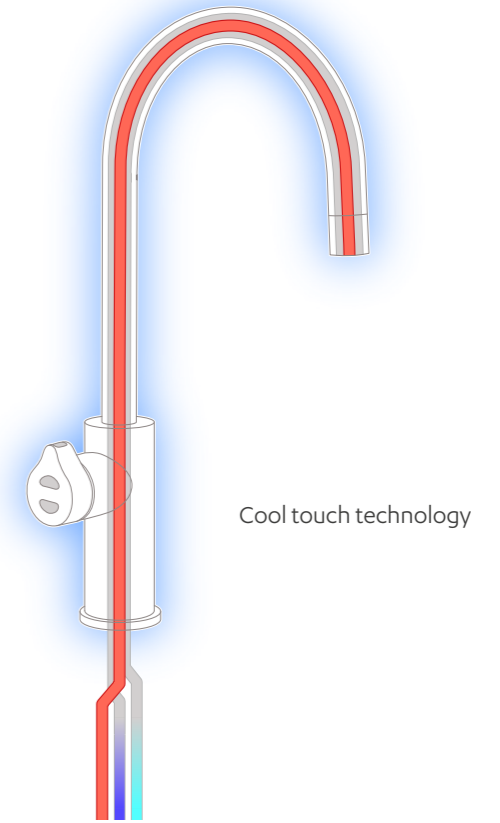


#07

Safe and accessible

All Zip products are designed to be completely safe and easy to use, with unique boiling water safety locks and cool touch technology. Whether you're specifying a HydroTap or HydroBoil, you can be confident that the end user can use our systems safely, without needing to worry about spluttering steam.

We can also advise on accessibility, with a range of products that are compliant with the Equalities Act 2010 and Building Regulations Part M 2004. A number of sections in these regulations are relevant to drinking water systems and the measures that need to be taken to ensure those with disabilities can use them with minimum difficulty. We can supply accessibility levers and braille covers for the HydroTap Classic range, which are ideal for those with disabilities or limited dexterity.



#06

Home and workplace wellbeing

Staying hydrated has never been easier with our range of drinking water solutions for both the home and workplace, offering irresistible filtered boiling, chilled and sparkling water at the touch of a button or lever.

Those who drink more water enjoy a host of mental and physical health benefits; from increased brain function and improved cardiovascular, muscle and joint health, right the way through to keeping the body cool and skin supple.

For businesses, it's no secret that drinking more filtered water increases concentration, reduces downtime and fuels creativity, all while keeping staff happy and healthy. Plus, providing a reliable, pure tasting drinking water solution in the office is sure to boost morale.

80%

of HydroTap owners drink more water*

*Research undertaken with 340 existing Zip HydroTap customers



Featured product
Zip HydroTap Classic with oversized levers and braille covers.



Unparalleled design

Advanced functionality, made beautifully. With the widest choice of models, designs, colours and finishes on the market, Zip offers water and style at its best.

Gone are the days where poor design was excused if a product was functional. You can now choose a drinking water system that matches seamlessly with the design of the space you're specifying for. This is essential in today's modern, stylish offices where the kitchen often doubles as a meeting space. That's why we recently launched our HydroTap Design range to the workplace market, which is proving to be a massive hit.



HydroTap Design range finishes

Standard range

- Bright chrome
- Brushed chrome
- Gloss black
- Matt black

Platinum range*

- Rose gold
- Brushed rose gold
- Gold
- Brushed gold
- Platinum
- Gunmetal
- Nickel
- Brushed nickel



*Please note there is a minimum 12 week lead time on all Platinum range HydroTaps



#09

Support at every stage

We offer dedicated, expert support from the very start of your project, ensuring you specify the perfect drinking water solution, followed by stress-free installation.

All Zip systems are backed by a full warranty, which can be supplemented by HydroCare, our stress-free service plan. HydroCare allows for complete peace of mind, covering essential annual filter changes, servicing and limescale management. Find out more about HydroCare on page 83.

And with more than 90 directly employed engineers, we have the largest support network in the UK, giving businesses prompt, efficient service.



Featured products
Zip HydroTap Classic installed in offices at TI Media and Sleeper Magazine.



90+

Directly employed engineers, across our UK and Ireland support network



#10

Trusted worldwide

The first and last word in drinking water systems, Zip Water is backed by 70 years' experience and a team of experts that are dedicated to finding you the right solution. We are backed by numerous third party accreditations (see page 85), building our image as a trusted brand across the globe.

We only provide the highest quality, most robust products, designed specifically for heavy demand environments. Our rigorous manufacturing standards mean that you can trust in the durability of every single system we produce.

Having worked with and supplied drinking water systems to a vast number of well-known brands, we hope you agree that our list of customers speaks for itself.



Featured product
Zip HydroTap All-in-One Classic
in bright chrome finish



WRAS
APPROVED PRODUCT

Trusted Reviews
HIGHLY RECOMMENDED
★★★★★

The Zip HydroTap

For work and home applications

The Zip HydroTap G4 is the world's most advanced drinking water system, combining state-of-the-art technology, MicroPurity filtration and stunning design.

With the widest choice of water options on the market, you can choose from pure tasting instant filtered boiling, chilled and sparkling water, or all three. We also offer models with an integrated mixer tap for unfiltered hot and cold water.

Whether in a work or home environment, our range of HydroTaps offer a convenient, efficient and safe solution for all your hydration needs.

Beautiful design

Nine tap designs and twelve finishes to choose from.

Ultimate convenience

Saves precious time – no need to wait for the kettle to boil.

Pure tasting water

Our MicroPurity filtration delivers crystal clear, great tasting water.

Boiling, chilled, sparkling, hot & cold

The widest choice of water options on the market.



HydroTap G4 can dispense up to **240 cups** of boiling water and up to **175 cups** of chilled and sparkling water per hour.

Zip HydroTap range

Stand alone instant filtered boiling, chilled and sparkling drinking water tap (no mixer tap)



HydroTap Arc, Cube, Elite

Able to complement any interior – from traditional to contemporary – Zip’s design-led Arc, Cube and Elite HydroTaps have been created with the architect and specifier in mind. As practical as they are beautiful, the HydroTap Design range marries functionality and style.

Now available for the workplace as well as the home, design-driven offices can benefit from instant filtered boiling, chilled and sparkling water from a tap that doesn’t disappoint in terms of looks.

The range is available in 12 colours, including standard bright chrome, brushed chrome, matt black and gloss black, as well as Zip’s Platinum range of finishes, including rose gold, brushed rose gold, gold, brushed gold, platinum, gunmetal, nickel and brushed nickel (except the Elite).

Models available for work and home.



HydroTap Classic

Offering the choice of instant filtered boiling, chilled or sparkling water, or all three in any combination, the iconic industrial design of the HydroTap Classic remains a much-loved and popular choice suited to any workplace or home. A safe, energy-efficient and highly functional appliance, we offer models to suit a range of business sizes and needs.

Models available for work and home.



HydroTap Industrial

In settings where safety, security and durability are top of the agenda, look no further than the HydroTap Industrial. Designed specifically for ease of use and robustness, the HydroTap Industrial is made to last, even in the most demanding environments. Reliably delivering a choice of instant filtered boiling and chilled water with easy to use controls and unique safety features.

Models available for work.



HydroTap All-in-One Classic

The robust HydroTap All-in-One offers filtered boiling, chilled and sparkling water, plus unfiltered hot and cold water from a single tap. Installed over the sink, its design is perfect for specifiers looking to blend contemporary aesthetics with industrial elements.

Models available for work and home.

HydroTap Arc

Timeless and enduringly classic, the HydroTap Arc is an elegant choice. With its curved 'swan neck', it channels the Victorian design era, yet sits just as happily in today's kitchens.

Featured product
Zip HydroTap Arc installed with optional font in rose gold finish



Available water options, finishes and capacities:

For work:

FILTERED: BOILING CHILLED SPARKLING	FILTERED: BOILING CHILLED	FILTERED: BOILING
---	--	-----------------------------

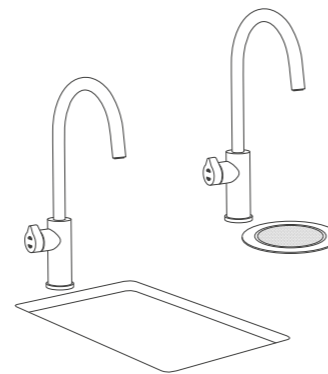
For home:

FILTERED: BOILING CHILLED SPARKLING	FILTERED: BOILING CHILLED	FILTERED: BOILING	FILTERED: CHILLED SPARKLING	FILTERED: CHILLED
---	--	-----------------------------	--	-----------------------------

STANDARD PLATINUM 12 week lead time on Platinum Range

Z1	Z2	Z3	Z4	Z5	Z6	Z7	Z8	Z9	Z10	Z11	
BRIGHT CHROME	BRUSHED CHROME	GLOSS BLACK	MATT BLACK	ROSE GOLD	BRUSHED ROSE GOLD	GOLD	BRUSHED GOLD	PLATINUM	GUNMETAL	NICKEL	BRUSHED NICKEL

HYDROTAP ARC	BOILING CUPS/HOUR	CHILLED GLASSES/HOUR	SPARKLING GLASSES/HOUR
FOR WORK	160	175	175
FOR WORK	240	175	175
FOR HOME	80	-	-
FOR HOME	80	75	75



HydroTap Arc can be installed over sink or optional font.



HydroTap Cube

A contemporary twist on a classic, the HydroTap Cube fits perfectly in modern kitchens. Make a design statement with this Arne Jacobsen inspired tap.

Available water options, finishes and capacities:

For work:

FILTERED: BOILING CHILLED SPARKLING	FILTERED: BOILING CHILLED	FILTERED: BOILING
---	--	-----------------------------

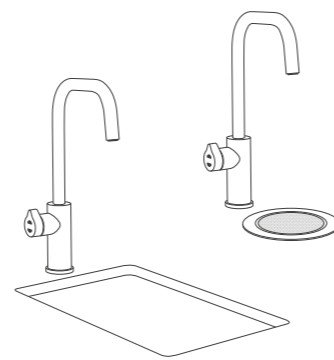
For home:

FILTERED: BOILING CHILLED SPARKLING	FILTERED: BOILING CHILLED	FILTERED: BOILING	FILTERED: CHILLED SPARKLING	FILTERED: CHILLED
---	--	-----------------------------	--	-----------------------------

STANDARD PLATINUM 12 week lead time on Platinum Range

Z1	Z2	Z3	Z4	Z5	Z6	Z7	Z8	Z9	Z10	Z11	
BRIGHT CHROME	BRUSHED CHROME	GLOSS BLACK	MATT BLACK	ROSE GOLD	BRUSHED ROSE GOLD	GOLD	BRUSHED GOLD	PLATINUM	GUNMETAL	NICKEL	BRUSHED NICKEL

HYDROTAP CUBE	BOILING CUPS/HOUR	CHILLED GLASSES/HOUR	SPARKLING GLASSES/HOUR
FOR WORK	160	175	175
FOR WORK	240	175	175
FOR HOME	80	-	-
FOR HOME	80	75	75



HydroTap Cube can be installed over sink or optional font.

Featured product
Zip HydroTap Cube installed with optional font in matt black finish



HydroTap Elite

Compact and discreet, the HydroTap Elite is a great choice for minimalist spaces. Simple, clean lines make this design a classic.

Featured product
Zip HydroTap Elite in brushed chrome finish



Available water options, finishes and capacities:

For work:

FILTERED: BOILING CHILLED SPARKLING	FILTERED: BOILING CHILLED	FILTERED: BOILING
---	--	-----------------------------

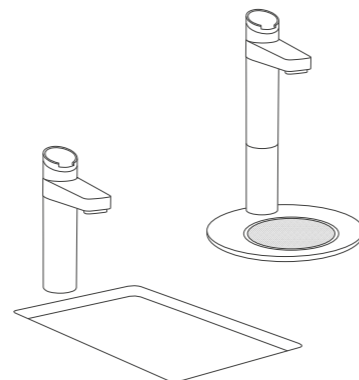
For home:

FILTERED: BOILING CHILLED SPARKLING	FILTERED: BOILING CHILLED	FILTERED: BOILING	FILTERED: CHILLED SPARKLING	FILTERED: CHILLED
---	--	-----------------------------	-----------------------------------	----------------------

STANDARD



HYDROTAP ELITE	BOILING CUPS/HOUR	CHILLED GLASSES/HOUR	SPARKLING GLASSES/HOUR
FOR WORK	160	175	175
FOR WORK	240	175	175
FOR HOME	80	75	75



HydroTap Elite can be installed over sink or optional font.



HydroTap Classic

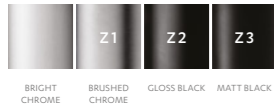
Our original HydroTap, the Classic effortlessly combines form and function. Its utilitarian design matches well with modern industrial-style spaces.

Available water options, finishes and capacities:

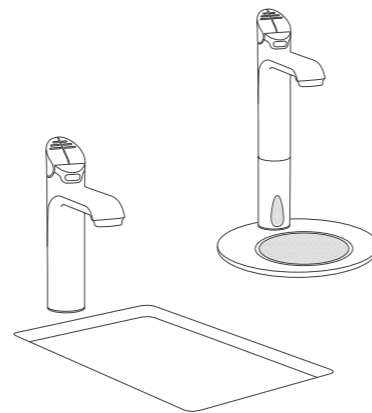
For work and home:

FILTERED: BOILING CHILLED SPARKLING	FILTERED: BOILING CHILLED	FILTERED: CHILLED SPARKLING	FILTERED: CHILLED	FILTERED: BOILING AMBIENT*	FILTERED: BOILING
---	--	--	-----------------------------	---	-----------------------------

STANDARD



HYDROTAP CLASSIC	BOILING CUPS/HOUR	CHILLED GLASSES/HOUR	SPARKLING GLASSES/HOUR
FOR WORK	100	75	75
FOR WORK	140	75	75
FOR WORK	160	175	175
FOR WORK	240	175	175
FOR HOME	80	75	75



HydroTap Classic can be installed over sink or optional font.

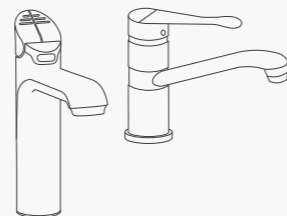
Featured product
Zip HydroTap Classic in bright chrome finish



Zip HydroTap 3-in-1, 4-in-1 and 5-in-1

The Zip HydroTap Classic is also available as a 3-in-1, 4-in-1 and 5-in-1 when paired with our Mixer Tap. Mixer Taps are available in either vented or mains versions. Vented Mixer Taps provide hot water at 50°C for washing up from the HydroTap under-counter command centre, so a hot water feed is not necessary. Mains Mixer Taps require a hot and cold water feed.

- Filtered boiling, chilled and sparkling, plus unfiltered hot and cold water (5-in-1)
- Filtered boiling and chilled, plus unfiltered hot and cold water (4-in-1) *
- Filtered boiling, plus unfiltered hot and cold water (3-in-1)



Add a Classic Mixer Tap for hot & cold

*For work models only

HydroTap Industrial

Designed with strength and security front of mind, the HydroTap Industrial is proven under the toughest industrial and institutional conditions.

Featured product
Zip HydroTap Industrial Top Touch



SIDE TOUCH



TOP TOUCH

Available water options, finishes and capacities:

For work:

FILTERED:
BOILING
CHILLED

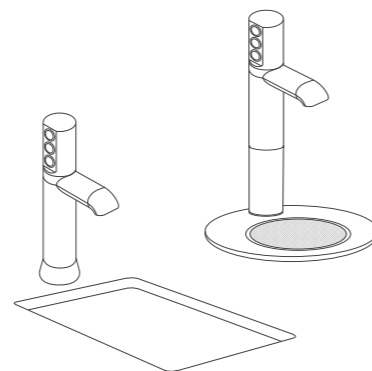


STANDARD



BRIGHT CHROME

High strength vandal resistant tapered base.



HydroTap Industrial Top Touch and Side Touch can be installed over sink or optional font.

HYDROTAP INDUSTRIAL	BOILING CUPS/HOUR	CHILLED GLASSES/HOUR
FOR WORK	160	175
FOR WORK	240	175

HydroTap All-in-One Classic

Our iconic HydroTap Classic design with a combined mixer tap dispenses filtered boiling, chilled and sparkling water and unfiltered hot and cold for washing up and hand washing.

This product is available as vented or mains. Vented models mix boiling water with cold for hot water. This means no hot water feed is required. Mains models require a hot and cold feed.

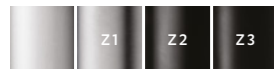
Available water options, finishes and capacities:

For work and home:

FILTERED:
BOILING CHILLED SPARKLING
UNFILTERED:
HOT & COLD

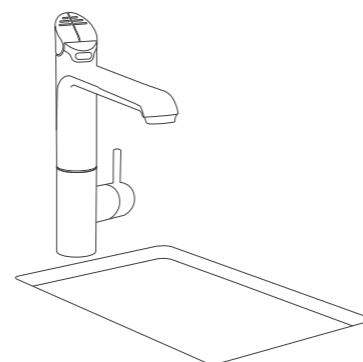
FILTERED:
BOILING CHILLED
UNFILTERED:
HOT & COLD

STANDARD



BRIGHT CHROME BRUSHED CHROME GLOSS BLACK MATT BLACK

ALL-IN-ONE CLASSIC	BOILING CUPS/HOUR	CHILLED GLASSES/HOUR	SPARKLING GLASSES/HOUR
WITH MAINS MIXER TAP. REQUIRES HOT AND COLD WATER FEED			
FOR WORK	100	75	75
FOR WORK	140	75	75
FOR WORK	160	175	175
FOR WORK	240	175	175
WITH VENTED MIXER TAP. COLD WATER FEED ONLY – NO NEED FOR HOT SUPPLY			
FOR WORK	140	75	75
FOR WORK	160	175	175
FOR WORK	240	175	175



HydroTap All-in-One Classic can be installed over sink only.

Featured product
Zip HydroTap All-in-One Classic
in bright chrome finish



HydroTap Celsius range

A choice of instant filtered boiling, chilled and sparkling water, combined with unfiltered hot and cold mixer tap



HydroTap All-in-One Celsius Arc

The ultimate in functionality, the All-in-One Celsius Arc offers all five water types – filtered boiling, chilled and sparkling water, plus unfiltered hot and cold water – from a single tap and under-counter command centre. All this is wrapped up in Zip's enduringly elegant Arc design. Perfect for the workplace or in the home, users will benefit from everything you'd expect from the HydroTap, including advanced filtration and energy saving features.

Models available for work and home.



HydroTap Celsius Arc and Celsius Cube

Offering the same stylish look as the HydroTap Design range, but with an added space-saving benefit. The HydroTap Celsius Arc and Celsius Cube deliver a choice of filtered boiling, filtered chilled or filtered chilled and sparkling water, alongside unfiltered hot and cold water for washing up, so there's no need for a separate mixer tap. Great for decluttering worktops to achieve that minimal look.

Models available for work and home.

HydroTap All-in-One Celsius Arc

The ultimate in style and substance, the revolutionary HydroTap All-in-One Celsius Arc delivers all five water options from just one beautifully designed tap and under-counter command centre.

This model is only available as a mains model and will require a hot and cold feed.

Available water options, finishes and capacities:

For work and home:

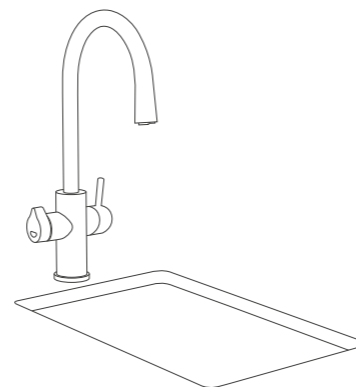
FILTERED:
BOILING CHILLED SPARKLING
UNFILTERED:
HOT & COLD

FILTERED:
BOILING CHILLED
UNFILTERED:
HOT & COLD

STANDARD PLATINUM 12 week lead time on Platinum Range

Z1	Z2	Z3	Z4	Z5	Z6	Z7	Z8	Z9	Z10	Z11	
BRIGHT CHROME	BRUSHED CHROME	GLOSS BLACK	MATT BLACK	ROSE GOLD	BRUSHED ROSE GOLD	GOLD	BRUSHED GOLD	PLATINUM	GUNMETAL	NICKEL	BRUSHED NICKEL

ALL-IN-ONE CELSIUS ARC	BOILING CUPS/HOUR	CHILLED GLASSES/HOUR	SPARKLING GLASSES/HOUR
FOR WORK	160	175	175
FOR WORK	240	175	175
FOR HOME	80	75	75



HydroTap All-in-One Celsius Arc can be installed over sink only.

Featured product
Zip HydroTap All-in-One Celsius Arc
in bright chrome finish



HydroTap Celsius Arc

Eliminate the need for a separate mixer tap – the HydroTap Celsius Arc is perfect for those who appreciate style and versatility at its best. It delivers a choice of filtered boiling, filtered chilled or filtered chilled and sparkling water, combined with unfiltered hot and cold water for washing up.

Available water options, finishes and capacities:

For work:

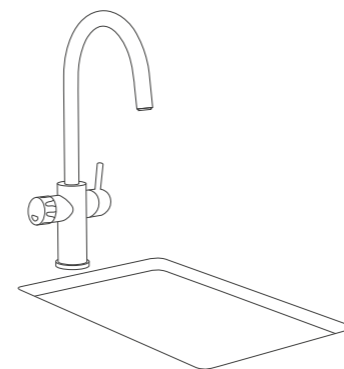
FILTERED:
BOILING
UNFILTERED:
HOT & COLD

For home:

FILTERED: BOILING	FILTERED: CHILLED SPARKLING	FILTERED: CHILLED
UNFILTERED: HOT & COLD	UNFILTERED: HOT & COLD	UNFILTERED: HOT & COLD



HYDROTAP CELSIUS ARC	BOILING CUPS/HOUR	CHILLED GLASSES/HOUR	SPARKLING GLASSES/HOUR
FOR WORK	160	175	175
FOR WORK	240	175	175
FOR HOME	80	-	-
FOR HOME	80	75	75



HydroTap Celsius Arc can be installed over sink only.

Featured product
Zip HydroTap Celsius Arc
in brushed rose gold finish



HydroTap Celsius Cube

No need for an additional mixer tap – the HydroTap Celsius Cube provides a choice of filtered boiling, filtered chilled or filtered chilled and sparkling water combined with unfiltered hot and cold water, all wrapped up in the modern Cube design.

Available water options, finishes and capacities:

For work:

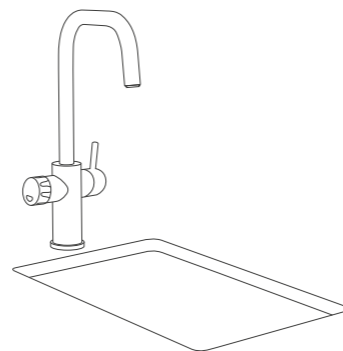
FILTERED:
BOILING
UNFILTERED:
HOT & COLD

For home:

FILTERED: BOILING	FILTERED: CHILLED SPARKLING	FILTERED: CHILLED
UNFILTERED: HOT & COLD	UNFILTERED: HOT & COLD	UNFILTERED: HOT & COLD



HYDROTAP CELSIUS CUBE	BOILING CUPS/HOUR	CHILLED GLASSES/HOUR	SPARKLING GLASSES/HOUR
FOR WORK	160	175	175
FOR WORK	240	175	175
FOR HOME	80	-	-
FOR HOME	80	75	75



HydroTap Celsius Cube can be installed over sink only.

Featured product
Zip HydroTap Celsius Cube
in rose gold finish



Mixer Taps

Our Mixer Tap range has been created to match the shapes and finishes of the HydroTap Arc and Cube designs. This means that you can specify a Mixer Tap to deliver unfiltered hot and cold water for washing up, as a beautiful addition to match your client's HydroTap.

Mixer Taps are available in either vented or mains versions. Vented Mixer Taps provide hot water at 50°C for washing up from the HydroTap under-counter command centre, so a hot water feed is not necessary. Mains Mixer Taps require a hot and cold water feed.

A Mixer Tap can be used alongside the HydroTap Classic, Arc, Cube and Elite, and feature a one year warranty.

Water combinations available are:

- Filtered boiling, chilled and sparkling from the HydroTap, plus unfiltered hot and cold water from the Mixer Tap (5-in-1)
- Filtered boiling and chilled from the HydroTap, plus unfiltered hot and cold water from the Mixer Tap (4-in-1)
- Filtered boiling and ambient from the HydroTap, plus unfiltered hot and cold water from the Mixer Tap (4-in-1)*
- Filtered boiling from the HydroTap, plus unfiltered hot and cold water from the Mixer Tap (3-in-1)



MIXER TAP ARC



MIXER TAP CUBE

*For work models only

Featured product

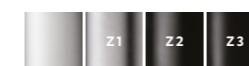
Mixer Tap Arc positioned next to HydroTap Arc boiling, chilled, sparkling in nickel



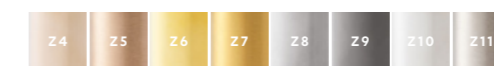
Available water options and finishes:

UNFILTERED:
HOT & COLD

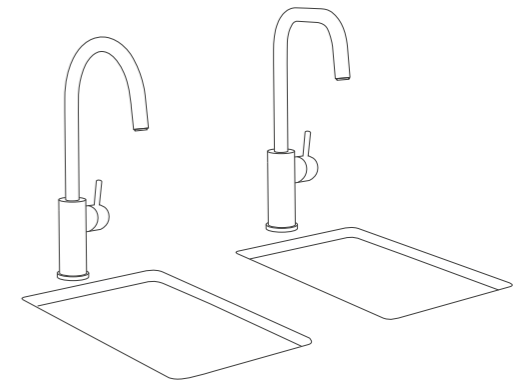
STANDARD



PLATINUM



12 week lead time on Platinum Range





ROSE GOLD

BRUSHED ROSE GOLD

GOLD

BRUSHED GOLD

PLATINUM

GUNMETAL

NICKEL

BRUSHED NICKEL

Platinum finish options available on HydroTap G4 models only.*



BRIGHT CHROME

BRUSHED CHROME

GLOSS BLACK

MATT BLACK

STANDARD RANGE*



PLATINUM RANGE



A colour and finish to complement any space

While our Standard finish options are anything but standard, we know that the demand for a greater range of tap finishes has never been higher.

That's why alongside our Standard finishes, our Platinum range of finishes features eight additional trend-led choices. So whether you're looking for a Scandinavian-inspired rose gold, an industrial gunmetal grey or a classic platinum, you can now choose a HydroTap that will match seamlessly with any interior style.

*HydroTap Classic is only available in the Standard finishes

Limescale filters

Zip Water UK's range of filters transform ordinary water into a form that everyone will love. Our MicroPurity filtration technology is the most advanced on the market, producing crystal clear, great tasting water, free from odours and contamination including sediment, chlorine, heavy metals like lead, microplastics, bacteria and parasites (such as cryptosporidium and giardia).

We also recommend that those who live in a hard water area use a limescale prevention filter to ensure the ongoing performance and longevity of their Zip system. Our HydroCare Plus plan manages this for the customer, along with annual filter changes and servicing. Find out more about HydroCare on page 83. Otherwise, customers can contact us to order filter replacements and we will deliver them direct to their door.



We recommend specifying one of our limescale filters according to the size of the product. The below table aims to explain which filter is best suited to which product and its level of usage.

CODE	PRODUCT NAME	LITRES PER MONTH*	LITRES PER DAY	ESTIMATED NUMBER OF TAP USERS	PRODUCT SUITABILITY
FL170G4 KIT	G4 Limescale Prevention Filter Installation Kit for Home	283	9	5	For home
FL250G4 KIT	Zip Limescale Prevention Filter Kit for Home	375	13	Up to 10	For homes or small offices
FL500G4 KIT	Zip Limescale Prevention Filter Kit for Work	625	30	45	Boiling 100 or 140 cup models
FL1000G4 KIT	Zip Limescale Prevention Filter Kit for Work	1167	56	75	Boiling 160 or vented 140 cup models
FL1500G4 KIT	Zip Limescale Prevention Filter Kit for Work	1667	79	100	Boiling 240 or vented 160 cup models

*Approximation

For home



FL170G4 KIT

Zip Limescale Prevention Filter (for HydroTap G4)

Triple action limescale filtration cartridge for the HydroTap G4, essential in hard water areas to maintain product performance. Speak to our team if you're unsure about the water hardness in your location.

For work



FL250G4 KIT, FL500G4 KIT, FL1000G4 KIT, FL1500G4 KIT, FL2000G4 KIT

Zip Limescale Prevention Filters up to 16,500 litres (for HydroTap G4)

Available in a range of capacities from 1,700 litres to 16,500 litres, this high-performance limescale filter improves the taste of water and increases the lifespan of your Zip product. A must for Zip products installed in hard water areas.



Accessories



90915UK
Font kit*

Suits any current model Zip HydroTap Classic or Elite

*Font kits available in a range of finishes



93441UK

Stand alone font kit*

Suits any current model HydroTap Arc or Cube. Does not include extension

*Font kits available in a range of finishes



SP92408

100mm extension

Suits any current model Zip HydroTap Classic or Elite



Accessibility lever

Available in various configurations to suit your needs.

SP91564 – boiling, chilled, sparkling
SP91560 – boiling, chilled



Braille lever

For HydroTap G4 only with these part numbers:

SP99910 – boiling, chilled
SP99911 – boiling
SP99912 – chilled

Installation accessories



SP93540
Vent tray

Suits any current workplace Zip HydroTap G4 boiling and chilled, or boiling, chilled and sparkling



SP93541
Vent tray

Suits any current workplace Zip HydroTap G4 chilled or chilled and sparkling



SP93156
Dual exhaust fan

Suits any current workplace Zip HydroTap G4 with chilled water



Air-cooling technology

Our air-cooling technology is energy efficient and does not use any water, so not a drop is wasted. This means savings for your clients, as well as upping your sustainability credentials, which is great for the planet too. What's more, when installed with the vent trays the under-counter cooling command centre will not require any cutting of the cabinet door for additional ventilation, so it won't interfere with your kitchen design.

INNOVATIVE AIR-COOLED TECHNOLOGY

WATER EFFICIENT

EASY INSTALLATION

HydroTap

For home

The Zip HydroTap has all the style, function and convenience you'd expect from Zip. Providing instant filtered boiling water at the touch of a button, the HydroTap is available with either an Arc or Cube style tap in our range of Standard finishes, including bright chrome, brushed chrome, matt black and gloss black.

Featuring a compact command centre that's the smallest in Zip's HydroTap range, the HydroTap is also great for kitchens with limited under-counter space. Users will also benefit from limescale filtration, improving the taste and odour of the water they drink while maintaining the performance of their HydroTap.

Alternatively, there is the option of the HydroTap Celsius, which delivers filtered boiling water, as well as unfiltered hot and cold water from one tap, eliminating the need for an additional mixer tap for washing up.



For home

HydroTap G4



For work and home

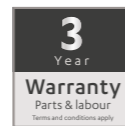
With filtered boiling, chilled and sparkling, and hot and cold water, any way you want it, the HydroTap G4 range offers the widest choice of water options available on the market.

Enjoy world-leading filtration technology that's 25 times better than a standard water filter jug, giving you crystal clear, pure tasting water that's free from contaminants, bacteria, heavy metals and microplastics.

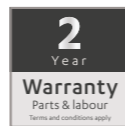
The HydroTap G4 also boasts a number of advanced energy efficiency and safety features, such as Power-Pulse technology, 'sleep when dark' mode, boiling lock and cool touch tap.

With a vast selection of designs and colours – as well as the option of fitting it over-sink or on-font – you'll be spoilt for choice and benefit from a tap that not only delivers on performance, but also looks at home in any design-led kitchen. Choose from our Platinum range of premium finishes, including rose gold, brushed rose gold, gold, brushed gold, platinum, gunmetal, brushed nickel and nickel.

When specifying a HydroTap G4 for a workplace project, you must select a for work model, which has been designed to withstand the demands of these environments.



*For home



For work



For home under-counter HydroTap and HydroTap G4 comparison

	HYDROTAP	HYDROTAP G4
FUNCTIONS	Boiling and hot and cold	Boiling chilled sparkling, hot and cold (any variation of)
FILTRATION	1 micron	0.2 micron
FINISHES	Standard	Standard and Platinum
DESIGN CHOICES	Arc, Cube, Celsius Arc, Celsius Cube	Arc, Cube, Elite, Classic, Celsius Arc, Celsius Cube, All-in-One Celsius Arc
SIZE OF UNDER-COUNTER	Vary by model	Vary by model
POWER-PULSE TECHNOLOGY	Y	Y
ENERGY SAVING MODE	N	Y
WARRANTY	2 year parts & labour	3 year parts & labour

*If a for home model HydroTap is installed in a for work application this could invalidate the warranty.





HydroChill range

Chilled and sparkling water dispensers

HydroChill filtered chilled water systems are the perfect match for medium to large offices, where demand is high, wellbeing a priority and sustainability vital.

HydroChill is a range of flexible, chilled water systems, which completely remove the need for unsustainable, expensive plastic bottled water thanks to superior filtration technology. So, unlimited hydration for employees and guests not only means a healthier, more productive workplace but a greener business.

Choose from filtered chilled, sparkling and ambient water in under-counter and counter-top models.



<p>UP TO 373</p>	<p>Number of 750ml bottles of filtered chilled water that can be dispensed by Zip HydroChill per hour</p>
-----------------------------	---

Zip HydroChill range

Instant filtered chilled, sparkling and ambient water dispensers



HydroChill HC10 Counter-Top

With the option of having filtered chilled and ambient or filtered chilled, ambient and sparkling water, this counter-top product features touch-button controls for ease of use.



HydroChill HC20 Counter-Top

Also a counter-top product, HydroChill HC20 offers even greater capacity, plus, you have the option of having a touch-button activation or a tap.



HydroChill HC50 Under-Counter

For installations that require the box command centre to be under-counter, HydroChill under-counter offers the ideal solution. The main command centre is tucked away out of sight, and there is a choice of on-counter taps with either two or three spouts, or touch-button control.



¹'Ambient' describes the temperature of the water where there is no additional heating or chilling to the incoming cold water supply.

HydroChill HC10 Counter-Top

Featured product
Zip HydroChill HC10 Counter-Top
45 litre

CAPACITY OPTIONS		
	LITRES PER HOUR	BOTTLES PER HOUR ¹
>	30	40
>	45	60

Product Information

With options of having up to 30 or 45 litres per hour of filtered chilled and ambient or filtered chilled, ambient and sparkling water, this counter-top product features push-button controls for ease of use.

Available water options:

FILTERED:
CHILLED
AMBIENT

FILTERED:
CHILLED
SPARKLING
AMBIENT

- Compact, brushed stainless steel design
- Zip MicroPurity high-capacity filtration included as standard
- UV Out filtration system available on selected models
- Matching floor standing cabinet available
- Quick and easy to install
- Drip tray included

¹Based on a 750ml bottle



HydroChill HC20 Counter-Top

CAPACITY OPTIONS		
	LITRES PER HOUR	BOTTLES PER HOUR ¹
>	80	106
>	150	200

Product Information

With a capacity of up to 150 litres per hour, the tap control on this counter-top product makes filling a bottle or a single glass of water simple, while looking stylish and professional.



Available water options:

FILTERED:
CHILLED
AMBIENT

FILTERED:
CHILLED
SPARKLING

- Tap control
- Stainless steel design
- Matching floor standing cabinet available for 80 litre model
- Zip MicroPurity high-capacity filtration included as standard
- Quick and easy to install
- Drip tray included

¹Based on a 750ml bottle

HydroChill HC20 Counter-Top

CAPACITY OPTIONS		
	LITRES PER HOUR	BOTTLES PER HOUR ¹
>	80	106
>	150	200

Product Information

Also a counter-top product, the HydroChill HC20 push-button can dispense up to 150 litres per hour, with portion control and manual dispense functions for ease of use.



Available water options:

FILTERED:
CHILLED
AMBIENT

FILTERED:
CHILLED
SPARKLING

- Push-button control
- Matching floor standing cabinet available for 80 litre model
- Portion control and manual dispense functions
- UV Out filtration system available on selected models
- Zip MicroPurity high-capacity filtration included as standard
- Quick and easy to install
- Drip tray included

HydroChill HC50 Under-Counter

CAPACITY OPTIONS		
	LITRES PER HOUR	BOTTLES PER HOUR ¹
>	30	40
>	60	82
>	80	106
>	150	200
>	280	373

Product Information

The perfect choice for front of house, HydroChill Under-Counter features a number of stylish tap designs. It is the ideal solution for installations that require the command centre to be tucked away out of sight. There is a choice of on-counter taps with either two or three spouts, or a push-button control bridge (right), available in conjunction with all under-counter command centres. The bridge allows portion control for filtered chilled, sparkling and ambient water.



Two and three
spout column tap
available



Two and three
spout column
tap with badge
available



Bridge
button
control

Available water combinations:

FILTERED:
CHILLED
AMBIENT

FILTERED:
CHILLED
SPARKLING

FILTERED:
CHILLED
SPARKLING
AMBIENT

- Choice of outlet: column tap with two spouts, column tap with three spouts or push-button
- Suitable for areas with limited counter space
- UV Out filtration system available on push button models
- Zip MicroPurity filtration included as standard

¹Based on a 750ml bottle

HydroChill HC50 Under-Counter dimensions

The under-counter command centres are the ideal solution for installations where counter space is limited. Dimensions below in width, depth and height order.



HC50 30 lph 260 x 416 x 416mm



HC50 60 lph 318 x 335 x 547mm



HC50 80 lph 318 x 457 x 554mm



HC50 150 lph 460 x 460 x 608mm



HC50 280 lph 550 x 760 x 808mm

HydroChill glassware

We offer a collection of high-quality refillable glass bottles and accessories to ensure a professional and eco-friendly image.

Making a good impression counts, and presenting your pure tasting water professionally is crucial. These bottles can be branded with your company logo or message in high quality, wash-proof print.*



Oslo bottle

Eco bottle



GLASSWARE ACCESSORIES	
94785	Oslo bottle: chilled, 15 bottles
94786	Oslo bottle: sparkling, 15 bottles
94788	Eco bottle: chilled, 12 bottles
94789	Eco bottle: sparkling, 12 bottles
94790	Silver screw cap for Oslo and Eco bottles, 100 caps
94791	Gold screw cap for Oslo and Eco bottles, 100 caps

**BOTTLE PERSONALISATION
AVAILABLE**

*Minimum order quantity may apply.

Consumables and accessories

Zip offers a choice of drip trays (for the HC50) and space saving cabinets for counter-top models. Where refillable bottles are required we offer a range of accessories to easily clean, store, maintain and help display these products. Simply contact us with your HydroChill product code to order your consumables.



94773:
Stainless drip tray
Drip tray outline 150 x 220mm



94774:
Stainless drip tray
Drip tray outline 400 x 220mm



94775:
Built-in stainless drip tray with drain
Drip tray outline 430 x 250mm



94776:
Cabinet for HC10 30 l/ph



94777:
Cabinet for HC10 45 l/ph



94778:
Cabinet for HC20 80 l/ph



94796:
Basket cover



94797:
Wash basket trolley



94795:
Bottle-washing basket



93705: Zip MicroPurity high capacity filter cartridge replacement
3 Micron, 17,000 litres



Replacement UV Out bulb
One bulb required per outlet
8,000 hours life
95054: UV bulb for Bridge IT
95055: UV bulb for HC10 & HC20

450

PLASTIC WATER BOTTLES TAKE ON AVERAGE 450 YEARS TO BREAK DOWN NATURALLY¹



¹Information Source:
U.S. National Park Service;
Mote Marine Lab, Sarasota, FL.

HydroBoil range

Wall-mounted instant boiling water systems for work that deliver energy efficiency with every cup

There's no need to wait for the kettle to boil with our recently redesigned Zip HydroBoil range, which delivers boiling water instantly from a reliable wall-mounted command centre. As well as saving time, the HydroBoil range saves businesses energy and money too. Costing little to run, energy efficient design and electronic controls minimise power consumption, while simple-to-use fingertip control brings you a cup-full or teapot-full of boiling water at a time.

EconoBoil

The EconoBoil is a low cost thermostatically controlled instant boiling water system for locations where affordable reliability is required. Available in 3 and 5 litre models, it employs our patented twin chamber boiling water Steam-Heat-Boost™ technology to recycle energy from steam to pre-heat the incoming cold water.

BOILING



HydroBoil

Enjoy no waiting time with this convenient, reliable and safe wall-mounted instant boiling water unit. Using Steam-Heat-Boost™ technology to conserve significant amounts of energy, the HydroBoil is available in 1.5 to 40 litre capacities, ensuring suitability for every application.

BOILING



HydroBoil Plus

Our most advanced model, with all the benefits of the HydroBoil, the HydroBoil Plus features advanced boiling water technology to deliver boiling water heated to within 0.5°C of the set temperature. Additionally, the HydroBoil Plus features energy-saving Power-Pulse™ technology, inactivity and low light sleep modes and is equipped with a two-way safety tap and safety lock.

BOILING



Featured product
Zip HydroBoil Plus



EconoBoil

The EconoBoil is a thermostatically controlled instant boiling water system for locations where affordable reliability is required.

Available in 3 and 5 litre models, the EconoBoil delivers boiling water at a constant temperature, as you would expect from a market leader. The EconoBoil employs patented twin chamber boiling water Steam-Heat-Boost™ technology to recycle energy from steam to preheat the incoming cold water.

The drinking water tank is made from high quality 444 stainless steel and is insulated to give you instant boiling water from a smart, compact command centre.

- Two-way chrome-plated tap
- Stainless steel boiling tank
- Steam-Heat-Boost™ technology
- Corrosion-resistant white enamelled steel case



CODE	TANK SIZE (LITRES)	CUPS* AT ONE TIME	CUPS* PER HOUR
303542	3	18	100
305542	5	30	140

*167ml

HydroBoil

Enjoy no waiting time with this convenient, reliable and safe wall-mounted instant boiling water unit. Using Steam-Heat-Boost™ technology to conserve significant amounts of energy, the HydroBoil is available in 1.5 to 40 litre capacities, ensuring suitability for every application. Tap locks on to fill pots hands-free.

- Two-way chrome-plated tap
- Available in 1.5 to 40 litre capacities
- Stainless steel twin chamber boiling tank
- Premium insulation
- Steam-Heat-Boost™ technology
- Corrosion-resistant white enamelled steel case
- Heating cycle indicator



CODE	TANK SIZE (LITRES)	CUPS* AT ONE TIME	CUPS* PER HOUR
301552	1.5	9	100
303552	3	18	100
305552	5	30	140
307552	7.5	45	140
310552	10	60	180
315552	15	100	180
325552	25	150	180
340552	40	240	360

*167ml

HydroBoil Plus

Our most technologically advanced model, the HydroBoil Plus is designed to cut energy consumption. State-of-the-art technology maintains boiling water to within 0.5°C of set temperature.

In addition, the HydroBoil Plus features energy-saving Power-Pulse™ technology, inactivity and low-light sleep modes, along with timer settings for ease of use and efficiency.

The HydroBoil Plus is equipped with a two-way safety tap and safety lock. This cool-touch tap also increases efficiency by enhancing the insulation of the boiler. The safety lock, located to the right, is an additional feature making it easy to restrict use of boiling water where safety is a prime consideration.

- Unique two-way cool touch tap
- Stainless steel twin chamber boiling tank
- Premium insulation
- Energy-saving Power-Pulse™ technology
- Sleep mode and integral timer
- Steam-Heat-Boost™ technology
- Liquid crystal display shows time, day, heater operation and energy saving mode status
- Corrosion-resistant white enamelled steel case



Consumables and accessories



Safety tap top assembly

93734

Prevents boiling water being dispensed accidentally. To dispense, a lever on the back of the handle needs to be released.

Insulating tap body cover

94514

For EconoBoil and HydroBoil. A heat cover for exposed tap outlets preventing the user from any accidental burns.



Inline filter

FL064

6" filter for taste and odour removal with limescale reduction. For use with HydroBoil up to 7.5 litre models.



Inline filter

FL104

10" filter for taste and odour removal with limescale reduction. For use with HydroBoil 10 litre models and above.



Cup dispensers

ZE001

Stainless steel (as shown).

ZE002

White plastic.



Tundish

ZD100 Wall mounted, chromed.

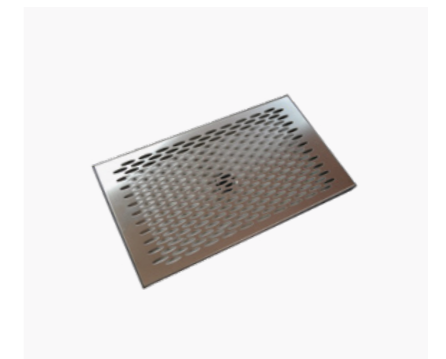
ZD101 Sink mounted, chromed.



Standalone font

93441UK

Bright chrome (with drain adaptor).
Ø176 font outline.



Drip tray

ZD200

Stainless steel (with drain adaptor).

Drip tray dimensions:
W: 340mm x D: 190mm x H: 20mm
with a 19.5mm drainage access.

CODE	TANK SIZE (LITRES)	CUPS* AT ONE TIME	CUPS* PER HOUR
303562	3	18	100
305562	5	30	140
307552	7.5	45	140

*167ml

ChillTap and FilterTap

Instant filtered chilled and ambient water

Our mains-fed chillers are designed for workplace, education and public buildings to provide healthy and fresh filtered drinking water. Say farewell to unsustainable, costly bottled water – our chilled water products offer hydration for employees, giving you happy, productive staff and a greener business for a fraction of the cost.

ChillTap Extra

FILTERED: **CHILLED AMBIENT**

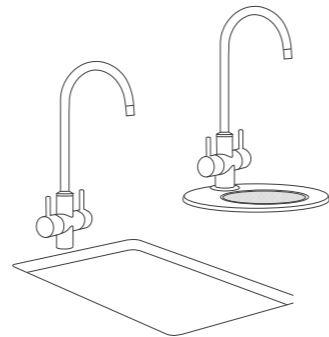
CAPACITY: 140 GLASSES/HOUR

STANDARD



CHROME

ChillTap Extra can be installed over sink or optional font



ChillTap

FILTERED: **CHILLED**

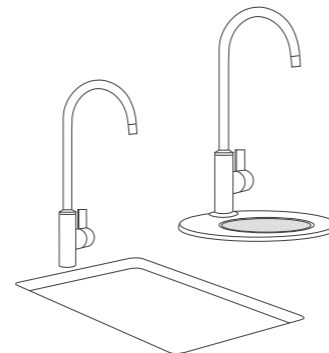
CAPACITY: 140 GLASSES/HOUR

STANDARD



CHROME

ChillTap can be installed over sink or optional font



FilterTap

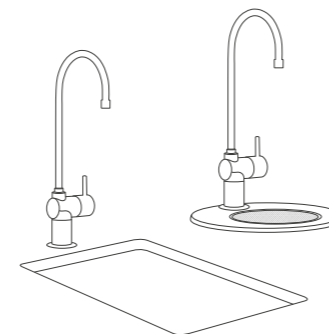
FILTERED: **AMBIENT**

STANDARD



CHROME

FilterTap can be installed over sink or optional font



Chillmaster

Featured product
Zip Chillmaster floor standing

Instant filtered drinking water

Our floor standing and wall-mounted chillers provide great tasting drinking water, freshly filtered to remove contamination as small as 0.2 micron. With the delivery of up to 140 glasses per hour, the Chillmaster provides an instant hydration solution for high usage public access areas, such as workplaces, schools and public buildings.

Chillmaster

FILTERED: **CHILLED**

STANDARD



CHROME

Floor standing



Chillmaster

FILTERED: **CHILLED**

STANDARD



CHROME

Wall-mounted



Zip warranty

The Zip warranty guarantees the workmanship and quality of the system is up to the exacting standards you expect from a Zip product.

For home HydroTap

Two year on site parts and labour warranty, which covers the whole system.*



For home HydroTap G4

Three year on site parts and labour warranty, which covers the whole system, followed by a further two year warranty on the boiling tank only, excluding breakdowns caused by limescale build-up.*



For work HydroTap G4

Two year on site parts and labour warranty, which covers the whole system, plus a further three years boiling tank only, excluding breakdowns caused by limescale build-up.*



HydroChill range

Two year on site parts and labour warranty, which covers the whole system.*



HydroBoil and HydroBoil Plus

Two year on site parts and labour warranty, which covers the whole system.*



EconoBoil

One year on site parts and labour warranty, which covers the whole system.*



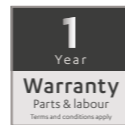
Mixer Taps

One year on site parts and labour warranty, which covers the whole system.*



ChillTap, FilterTap and Chillmaster

One year on site parts and labour warranty, which covers the whole system.*



*Terms and conditions apply.

Specify Zip HydroCare™ for your client's peace of mind

HydroCare is our essential service plan and a key part of Zip product ownership. HydroCare will ensure the product's longevity, as well as crystal clear and pure tasting water for its lifetime - offering you complete peace of mind.

The comprehensive HydroCare service plan includes an annual service and inspection, filter changes, system sanitisation and unlimited call-outs with onsite parts and labour. With our in-house team of over 90 dedicated field service operatives – at least one in every county across the UK – call-outs are quick and easy to organise. HydroCare Plus also includes the additional benefit of limescale management. With 70 years of innovation and expertise behind Zip, why not leave the maintenance and service to those who know it best. HydroCare - zero hassle and continuously great tasting water, year after year.



Why choose HydroCare™?

<p>Save money</p> <p>HydroCare saves you money with every service while ensuring your product maintains its performance throughout its life.</p>	<p>Fast and reliable</p> <p>Zip has a fleet of over 90 fully trained, directly-employed engineers across the UK and Ireland – at least one based in every county.</p>
<p>Peace of mind</p> <p>Take one thing off the to-do list with flexible, pre-scheduled services and filter changes.</p>	<p>Pure tasting water</p> <p>Regular filter changes, sanitisation and planned services will ensure your Zip product continues to deliver pure tasting water.</p>
<p>Tailored and flexible</p> <p>No matter what your water condition or usage, our HydroCare package is designed with this in mind.</p>	<p>Expertise</p> <p>With almost 70 years' experience, Zip Water is the most trusted name in drinking water solutions.</p>

Zip CPD seminars

At Zip Water UK we are committed to providing high quality training to industry professionals. Our accredited Continuing Professional Development (CPD) seminars allow us to share our expertise across many topics, including drinking water solutions, hot water systems, sustainability, office design and improving the workplace.

We want to help you to understand the issues and regulations surrounding these subjects, which will ultimately improve the homes, workplaces and communities you create.

Energy efficient hot water – seminar

Looking to specify the perfect hot water solution? This CPD breaks down this complex technical subject into easy to digest sections.

Choosing a hot water solution can be a minefield if you're not fully aware of the types of system available and their comparative features and benefits. Let the experts guide you through the process with this comprehensive RIBA and CIBSE approved CPD, packed with useful statistics and advice to help you select the most energy, cost and time efficient choice.

Sustainable design – seminar

In this CPD we examine the concept of sustainable design, which aims to reduce or eliminate negative impact on the environment and the people who live in it.

With a focus on drinking water, we discuss the importance of hydration and the effect that poor drinking water solutions can have in terms of sustainability and wellbeing – especially when it comes to the modern scourge of plastic bottles. And most importantly, why functional, sustainable products should also be beautiful.

Workplace hydration – seminar

Focusing on the importance of drinking water in the workplace environment, the aim of this CPD is to inform on what regulations businesses need to comply with and the options available.

We cover drinking water regulations, the options available in terms of chilled and boiling water, and how to make a decision that not only aids staff productivity but is the environmental choice. We also discuss filtration and the benefits of a mains-fed system.

To book any of these CPD seminars, or to find out more about the library of CPDs we provide, please visit specify.zipwater.co.uk/cpds



Accreditations and regulations



WRAS

The Water Regulations Advisory Scheme (WRAS) is a conformance mark that demonstrates that an item complies with the high standards set out by the 1999 UK water regulations. The WRAS logo certifies that our drinking water systems are safe to use at both work and home.



CE

All Zip Water UK systems have been fully tested and comply with EU safety, health and environmental requirements.



NSF

Our 0.2 micron MicroPurity filter has been tested and approved according to NSF/ANSI Standards 42 and 53, evaluating the safety and structural integrity of point-of-use/point-of-entry (POU/POE) drinking water filtration systems and certifying the health and safety of drinking water. Standard 42 covers aesthetic (taste and odour, chlorine, particulate) claims, while Standard 53 addresses specific health-related contaminants that may be present in drinking water, such as microbiological (including filterable cysts) or chemical (including pesticides and lead).

Equality Act compliant

Whether refurbishment or new build, architects, contractors and facilities managers are expected to ensure high quality disabled access, no matter the size of the business. We offer systems and accessories that will comply with The Equality Act 2010, Building Regulations Document Part M, BS8300 and the National Planning Framework. Speak to the experts at Zip for best-practice recommendations.



RoHS compliant

All materials involved in Zip HydroTap manufacture comply with the European Restriction of Hazardous Substances Directive 2011/65/EC.



BREEAM compliant

An increasing number of UK construction projects are being considered for BREEAM accreditation. BREEAM (The Building Research Establishment Environmental Assessment Method) was first published in 1990 and is the world's longest established method of assessing, rating and certifying the sustainability of buildings. Zip drinking water systems can contribute towards achieving BREEAM points, in both the Energy and Health and Wellbeing sections.

Zip can contribute towards the energy section; the energy section credits are calculated within the Energy Model. Zip drinking water solutions can satisfy Asset Performance ENE 23 – water heating. This is in relation to an instant hot water device at point of use, as water is directly provided from the Zip HydroTap product for drinking and cooking.

Zip can also contribute towards achieving two points relating to criteria in the Health and Wellbeing section, specifically Asset Performance HEA 06 – water provisions. Zip can recommend tailored drinking water solutions that ensure you meet the assessment criteria required, including providing easily accessible mains supplied drinking water provisions to all users, and with specifying for the appropriate number and placement.



Red List compliant

Our systems are designed to meet the sustainable initiatives of the Living Building Challenge by eliminating prohibited materials shown on the LBC Red List.



Environmental Product Declaration (EPD)

An EPD is an ISO standardised tool to communicate the sustainability of a product or system. Voluntarily developed, it contains quality-assured and comparable information regarding the environmental performance of products. You can download ours via the zipwater.co.uk website.

Sectors

Whether you're working on a new build or a refurbishment, we have the drinking water solution to match your exact requirements. Every application has its own challenges. We know that the needs of a multi-story office can differ greatly to that of a hospital or café, and you can be confident that this expertise is right at your fingertips.

We invest in understanding your industry and its regulations, making sure you always specify the right solution.



Offices and workplaces

We're a one stop shop for convenient and efficient WRAS approved office drinking water systems, whether you're specifying for an SME or a large blue chip business. Our experts can tailor a bespoke solution that caters for any number of staff, from two to 2000 or more.

We know it's no longer enough to deliver high performance, functional products – the contemporary office calls for products that look great too. That's why we offer the widest choice of designs and finishes on the market.

And with sustainability at the top of the agenda for many businesses, our high capacity drinking water systems dispense unlimited volumes of highly filtered water, so plastic bottles can become a thing of the past.

Healthcare

Patient health and wellbeing has to be at the centre of any healthcare specification. Over the years we have worked closely with a number of NHS Trusts and private hospitals, developing our product range to ensure we have the perfect drinking water solutions for these high demand environments. Hard working, energy and cost efficient systems are required to stand the test of time and heavy use, whether by staff members, patients or visitors.

Whether in a hospital, staff room, or mental healthcare application, safety and ease of use are also an important consideration. We ensure that our products have Equality Act compliant options and are simple to operate for the elderly, infirm and disabled.

Education

From schools to universities and training facilities, the provision of drinking water is fundamental to the health, wellbeing and productivity of students.

The School Premise Regulations 2012 state that good quality drinking water must be readily accessible, with no scalding risk from hot water, and it is generally preferable if drinking water supplies are connected directly to the cold water mains. Our experts can help you meet these regulations with our range of cost effective mains-fed drinking water solutions.

Thanks to our systems' unique safety features and simple operational controls, students and employees alike will benefit from pure tasting filtered drinking water in an instant, without the worry of spluttering steam or scalding.

Industrial and institutions

In settings where safety, security and durability are top of the agenda, we have a number of suitable products to do the job. The HydroTap Industrial, for example, is designed specifically for ease of use and robustness. It is made to last, even in the most demanding environments, reliably delivering a choice of instant filtered boiling and chilled water via large, easy to use controls.

In high security environments, our market-leading safety technology will give clients complete peace of mind and protect the end user from harm. Our hardwearing, reliable drinking water systems are WRAS approved and suitable for high risk locations, with features like portion control allowing for management of the amount of water dispensed and high strength anti-vandal design.

Retail

For retail applications, we know that both customers and staff need to be considered. From a front of house perspective, we have a wide range of solutions catering for any space and capacity requirement. While being able to withstand high volume use, these systems also look professional and stylish, adding value to the customer's experience with the brand in question.

The busy retail environment calls for systems that will allow staff to make the most of their breaks, without having to wait for kettles to boil or purchase environmentally harmful bottled water. Our range of drinking water systems include dispensers that rapidly deliver filtered boiling, chilled and sparkling water, while being easy to clean and maintain.

Hotels, restaurants, bars and cafés

Our reliable, functional products can deliver limitless amounts of filtered drinking water without letting staff and customers down during the lunchtime rush. Front of house, ultimate convenience and speed is matched by our wide range of designs and finishes to blend beautifully with any interior. Our high capacity filtered drinking water systems can be used alongside stylish branded glass bottles, removing the need to buy-in expensive and unsustainable pre-packaged plastic bottles for table water.

From a catering perspective, kitchen staff will wonder how they ever lived without instant boiling, chilled and sparkling water. Speeding up many cooking processes – whether it's cooking beautifully al dente pasta or blanching vegetables – results in consistent, great tasting food, fast.

Sectors

Leisure, sports and stadia

From golf clubs and local sports facilities to international stadia and events venues, we know that whatever the size of the site, it is crucial to provide energy and water efficient drinking water systems that will deliver consistently, keeping costs down and large numbers of customers happy.

Whether in a kiosk, conference centre or arena, the ability to serve hundreds of people in a small window of time is key to keeping queue levels to a minimum while upping return on investment. We've developed a number of high capacity systems that can deliver instant boiling, chilled and sparkling water with a fast fill rate and reliable performance. And for areas that are tight on space, we have a wide range of wall mounted, counter top and under-counter solutions to fit the bill.

Residential

Whether you're specifying for a one-off luxury penthouse or a large scale development, we have models and price points to suit all client needs.

The design of houses and apartments requires knowledge of the lifestyle of the tenant or homeowner and it's no secret that including must-have appliances and high quality finishes can help secure that final sale. Boiling and chilled water taps are no longer seen as a luxury and are growing in popularity year-on-year, giving homeowners the convenience they need to lead a healthier life when time is short.

Our HydroTap Design range gives you the choice of three designs and 12 on-trend finishes, including gunmetal and brushed gold, enabling you to create that aspirational look that makes a property truly desirable.

Local authority and public buildings

The nature of public and local authority buildings is that they are used by many different people, all with their own needs. In high footfall areas, whether it's a transport interchange, community-based services or council building, the requirement for durability and longevity are most notable.

Against a backdrop of tighter public sector funding, any work to improve services must be coupled with a focus on cost saving and sustainable solutions. Energy performance is key to specifications in this industry, as all larger public buildings over 500m² must display a Display Energy Certificate (DEC), and we offer the most advanced energy efficient technology on the market to meet this need.

Regulations for providing drinking water in the workplace

The law requires that you provide drinking water and ensure that:

- It is free from contamination and is preferably from the public water supply
- It is easily accessible by all employees
- There are adequate supplies taking into consideration the temperature of the working environment and types of work activity
- Cups or a drinking fountain are provided

There's a Zip HydroTap for every application and environment



Case study: ITV

As the largest commercial television network in the UK, ITV employs some of the best and brightest in the industry. Creating a collaborative and innovative working environment and keeping staff at the top of their game is a priority for the broadcaster.

With the knowledge that a hydrated workforce is happier, healthier and more productive, ITV knows not to cut corners when it comes to drinking water solutions. Over 20 of our HydroTap G4's provide filtered boiling, chilled and sparkling water across ITV's London offices. However, the management team also needed a suitable drinking water solution to cater for regular large-scale events, functions and meetings.

ITV installed HydroChill units in two of its London offices – Waterhouse Square and Grays Inn Road – to provide the catering teams with access to a system that could supply refreshing filtered chilled and sparkling water at a high capacity, quickly and efficiently.

Christopher O'Reilly, workplace services operations and compliance manager explains: "We have a great relationship with Zip, which started due to the number of HydroTaps installed in our offices at Southbank. It made sense to carry on that relationship when we moved to our new location, and when we were looking for a different system for the catering team Zip had already proven the longevity and quality of their products to us."



Image
HydroTap Classic
at ITV, London



Image
HydroChill HC50
Under-Counter at ITV

CLIENT
ITV
SECTOR
WORKPLACE, OFFICE
LOCATION
LONDON, ENGLAND
PRODUCT
ZIP HYDROCHILL

Large events and functions at ITV had previously been a struggle. Providing filtered chilled and sparkling water for to up to 150 visitors was a time-consuming task and it was a challenge to meet demands.

"We decided to install the HydroChill units as they provided the perfect solution for our problem. So far there's been a very positive response. The catering teams are particularly happy because they can now provide an improved and more efficient service."

Chris continues: "The HydroChill is a perfect fit for our offices, particularly as sustainability is very important to us as a company. Since moving from our Southbank offices,

we have cut out usage of paper cups completely and only have reusable glasses and mugs. The HydroChill is another solution where we can help create a greener office."

It's no wonder after the success of the HydroTap at ITV that the HydroChill has proven to be just as popular.

"The HydroChill is a perfect fit for our offices, particularly as sustainability is very important to us as a company."

Christopher O'Reilly, workplace services operations and compliance manager, ITV

Case study: Apache

To build a sustainable future, Apache believes it is essential to deliver profitable, long-term growth in a way that protects and enhances the safety and health of its employees, the local communities in which it operates and the environment. With Apache embracing sustainable business practices across its global operations, Apache North Sea in Aberdeen, Scotland installed a Zip HydroChill to support the company's efforts to reduce single-use plastic waste across its office.

Stephen Duncalf, supply chain manager for Apache North Sea, explains: "We have a robust waste management and environmental strategy in place which is designed to engage our workforce and encourage the reduction of waste. In considering how our operations impact the environment, we sought to reduce our single-use plastic waste, which was driven by the purchase of over 12,000 bottles of water in 2018."

The Zip HydroChill was identified as a leading product to support Apache's reduction of plastic waste. A mains-fed drinking water dispenser with MicroPurity filtration, it removes the need for disposable, plastic water bottles, while delivering a pure taste. Apache installed the HydroChill HC20 model, capable of dispensing 80 litres or 106 bottles* of filtered chilled or sparkling water per hour.



CLIENT
APACHE NORTH SEA

SECTOR
WORKPLACE, OFFICE

LOCATION
ABERDEEN, SCOTLAND

PRODUCT
ZIP HYDROCHILL

"The Zip HydroChill has transformed water consumption across our office," continues Stephen. "Within two months of it being installed, the sale of bottled water and our subsequent single-use plastic waste decreased by 48%. The feedback from our workforce has been extremely positive and we expect this trend to continue as more of our people choose to use the Zip HydroChill as a sustainable alternative to bottled water."

"The Zip HydroChill has transformed water consumption across our office."

Stephen Duncalf, supply chain manager, Apache North Sea



*750ml bottles

Specification made easy

With our online portal it has never been easier to select the system to fit your specification. You have a full resource library at your fingertips, where you can simply search, select and download BIM files, specification sheets and product literature.

The portal has everything you need in one place, from information about sustainability and regulations to a wide range of case studies, making it an indispensable tool for specifiers. Login from anywhere and find what you need, fast.

Visit specify.zipwater.co.uk to get started.



SPECIFICATION SHEETS

PRODUCT BROCHURES

FIND YOUR ACCOUNT MANAGER

PRICE LISTS

NEWS

SUPPORT

2D / 3D DRAWINGS

Search the Zip Water Portal...

Technical support

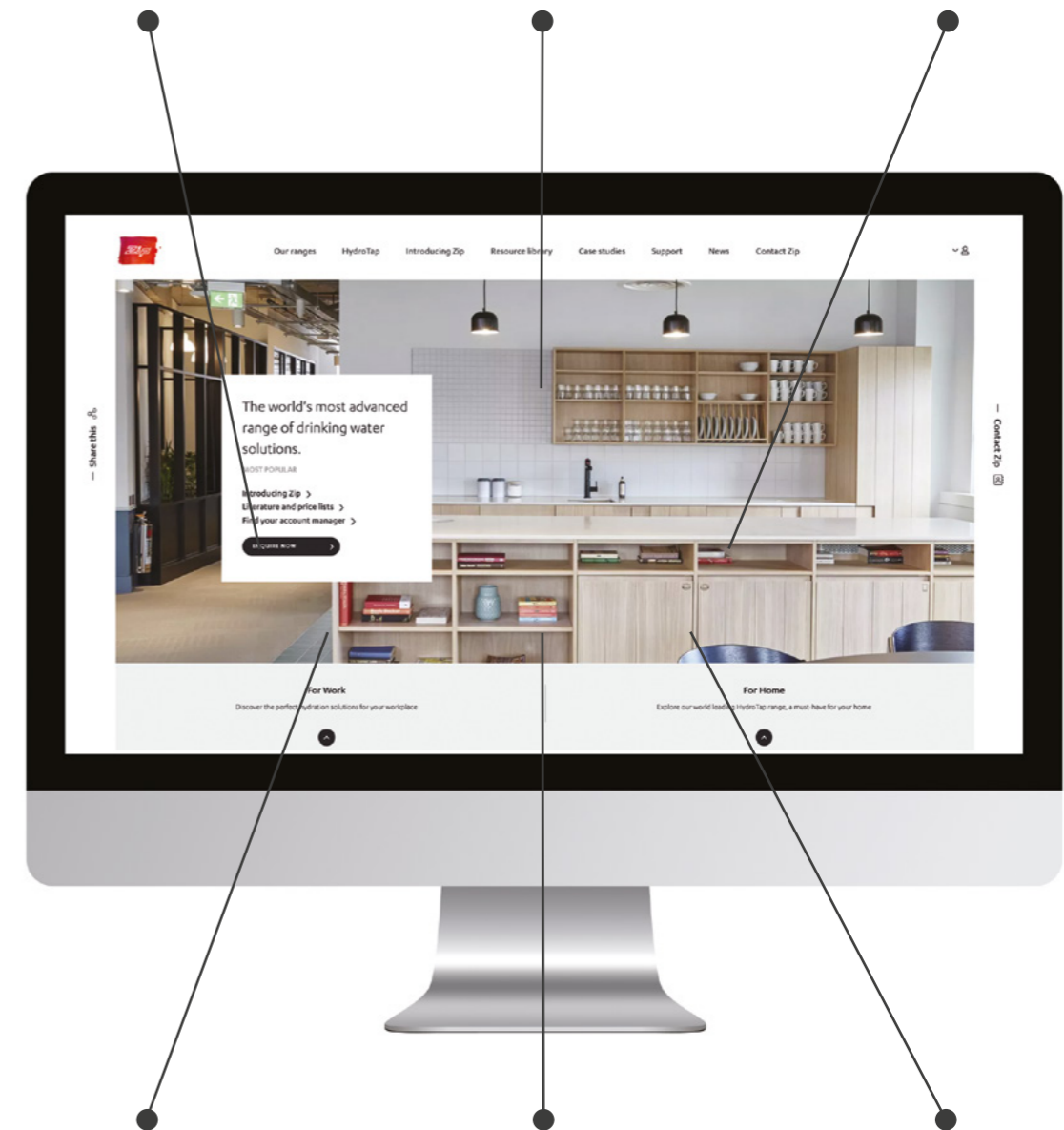
Find your local Zip rep, browse helpful FAQs or live chat with the team.

Case studies

Product and sector-specific projects backed by client testimonials.

Resource library

Quickly search for up-to-date BIM files, specification sheets and brochures.



Specification tool

Find the right system fast with our easy-to-use interactive tool.

Accreditations

Vital information on regulations and accreditations that impact your project.

Sustainability

Find out about energy efficiency and our campaign against plastic bottles.

Technical data

HydroTap for work	98
HydroTap for home	102
Mixer Taps	105
Tap and font dimensions	106
For work command centres	108
For home command centres	110
HydroChill	112
HydroChill counter-top	115
HydroChill under-counter	116
HydroBoil	118
ChillTap, FilterTap and Chillmaster	121



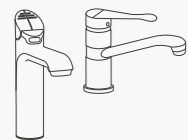
HydroTap for work

CLASSIC



MODEL CODE	NO. PEOPLE	WATER OPTIONS	CLIPS PER HOUR		GLASSES PER HOUR		SIZE* W X D X H (mm)
			Cups	Boiling	Chilled	Sparkling	
HT1760UK	20		100	75	75	338 x 461 x 335	
HT1761UK	40		140**	75	75	338 x 461 x 335	
HT1762UK	60		160	175	175	450 x 470 x 335	
HT1763UK	100		240**	175	175	450 x 470 x 335	
HT1764UK	20		100	75	-	280 x 470 x 335	
HT1799UK	40		140**	75	-	280 x 470 x 335	
HT1704UK	60		160	175	-	450 x 470 x 335	
HT1705UK	100		240**	175	-	450 x 470 x 335	
HT1708UK	60		160	-	-	280 x 313 x 335	
HT1709UK	100		240**	-	-	280 x 313 x 335	
HT1706UK	60		160	-	-	280 x 313 x 335	
HT1707UK	100		240**	-	-	280 x 313 x 335	
HT1765UK	100		-	175	175	336 x 476 x 335	
HT1711UK	100		-	175	-	336 x 480 x 335	

CLASSIC WITH CLASSIC MIXER

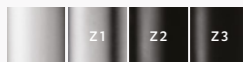


VENTED (COLD FEED ONLY)

HT1775UK	60		160	175	175	450 x 470 x 335
HT1776UK	100		240**	175	175	450 x 470 x 335
HT1723UK	60		160	175	-	450 x 470 x 335
HT1724UK	100		240**	175	-	450 x 470 x 335
HT1737UK	60		160	-	-	280 x 313 x 335
HT1738UK	100		240**	-	-	280 x 313 x 335
HT1731UK	60		160	-	-	280 x 313 x 335
HT1732UK	100		240**	-	-	280 x 313 x 335

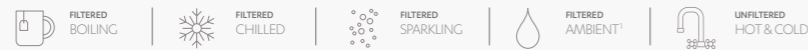
AVAILABLE IN:

STANDARD



Model codes listed above are for chrome finishes. Please refer above for the Z code of your chosen finish. For example, when ordering HydroTap Classic, boiling, chilled and sparkling in matt black use code HT1760Z3UK

KEY TO ICONS



*Size relates to command centre – revert to installation diagram for clearance and ventilation.

**140 and 240 boiling cup per hour models include additional Booster and require 2 x 13 amp power supply. Refer to specify.zipwater.co.uk for full specification details.

Glass size is 200ml and cup size 167ml.

¹ 'Ambient' describes the temperature of the water where there is no additional heating or chilling to the incoming cold water supply.

ALL-IN-ONE CLASSIC



MODEL CODE	NO. PEOPLE	WATER OPTIONS	CLIPS PER HOUR		GLASSES PER HOUR		SIZE* W X D X H (mm)
			Cups	Boiling	Chilled	Sparkling	

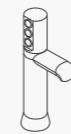
VENTED (COLD FEED ONLY)

HT1770UK	40		140	75	75	338 x 461 x 335
HT1771UK	60		160	175	175	450 x 470 x 335
HT1772UK	100		240**	175	175	450 x 470 x 335
HT1715UK	40		140**	75	-	280 x 470 x 335
HT1716UK	60		160	175	-	450 x 470 x 335
HT1717UK	100		240**	175	-	450 x 470 x 335

MAINS (USING HOT & COLD FEED)

HT1766UK	20		100	75	75	338 x 461 x 335
HT1767UK	40		140**	75	75	338 x 461 x 335
HT1768UK	60		160	175	175	450 x 470 x 335
HT1769UK	100		240**	175	175	450 x 470 x 335
HT1773UK	20		100	75	-	280 x 470 x 335
HT1774UK	40		140**	75	-	280 x 470 x 335
HT1713UK	60		160	175	-	450 x 470 x 335
HT1714UK	100		240**	175	-	450 x 470 x 335

INDUSTRIAL SIDE TOUCH



HT1744UK	60		160	175	-	450 x 470 x 335
HT1745UK	100		240**	175	-	450 x 470 x 335

INDUSTRIAL TOP TOUCH



HT1747UK	60		160	175	-	450 x 470 x 335
HT1748UK	100		240**	175	-	450 x 470 x 335

HydroTap for work

ARC



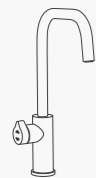
MODEL CODE	NO. PEOPLE	WATER OPTIONS	CLIPS PER HOUR		GLASSES PER HOUR		SIZE* W X D X H (mm)
			☺	❄	❄	❄	
HT2762UK	60	☺ ❄ ❄	160	175	175	450 x 470 x 335	
HT2763UK	100		240**	175	175	450 x 470 x 335	
HT2704UK	60	☺ ❄	160	175	-	450 x 470 x 335	
HT2705UK	100		240**	175	-	450 x 470 x 335	
HT2706UK	60	☺	160	-	-	280 x 313 x 335	
HT2707UK	100		240**	-	-	280 x 313 x 335	

ELITE



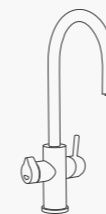
MODEL CODE	NO. PEOPLE	WATER OPTIONS	CLIPS PER HOUR		GLASSES PER HOUR		SIZE* W X D X H (mm)
			☺	❄	❄	❄	
HT4762UK	60	☺ ❄ ❄	160	175	175	450 x 470 x 335	
HT4763UK	100		240**	175	175	450 x 470 x 335	
HT4704UK	60	☺ ❄	160	175	-	450 x 470 x 335	
HT4705UK	100		240**	175	-	450 x 470 x 335	
HT4706UK	60	☺	160	-	-	280 x 313 x 335	
HT4707UK	100		240**	-	-	280 x 313 x 335	

CUBE



HT3762UK	60	☺ ❄ ❄	160	175	175	450 x 470 x 335
HT3763UK	100		240**	175	175	450 x 470 x 335
HT3704UK	60	☺ ❄	160	175	-	450 x 470 x 335
HT3705UK	100		240**	175	-	450 x 470 x 335
HT3706UK	60	☺	160	-	-	280 x 313 x 335
HT3707UK	100		240**	-	-	280 x 313 x 335

ALL-IN-ONE CELSIUS ARC



REQUIRES HOT & COLD FEED

MT2768UK	60	☺ ❄ ❄ ☺	160	175	175	450 x 470 x 335
MT2769UK	100		240**	175	175	450 x 470 x 335
MT2713UK	60	☺ ❄ ☺	160	175	-	450 x 470 x 335
MT2714UK	100		240**	175	-	450 x 470 x 335

CELSIUS ARC



REQUIRES HOT & COLD FEED

MT2706UK	60	☺ ☺	160	-	-	280 x 313 x 335
MT2707UK	100		240**	-	-	280 x 313 x 335

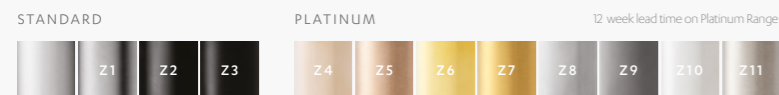
CELSIUS CUBE



REQUIRES HOT & COLD FEED

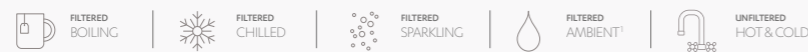
MT3706UK	60	☺ ☺	160	175	-	280 x 313 x 335
MT3707UK	100		240**	175	-	280 x 313 x 335

AVAILABLE IN:



Model codes listed above are for chrome finishes. Please refer above for the Z code of your chosen finish. For example, when ordering HydroTap Arc, boiling, chilled and sparkling in brushed gold use code HT2762Z7UK.

KEY TO ICONS



*Size relates to command centre – revert to installation diagram for clearance and ventilation.

**140 and 240 boiling cup per hour models include additional Booster and require 2 x 13 amp power supply. Refer to specify.zipwater.co.uk for full specification details.

Glass size is 200ml and cup size 167ml.

¹'Ambient' describes the temperature of the water where there is no additional heating or chilling to the incoming cold water supply.

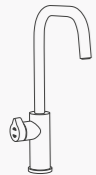
HydroTap for home

ARC



MODEL CODE	WATER OPTIONS	SIZE* W X D X H (mm)
HT2783UK		338 x 461 x 335
HT2784UK		280 x 470 x 335
HT2787UK		280 x 405 x 335
HT2788UK		280 x 420 x 335
HT2786UK		280 x 313 x 335

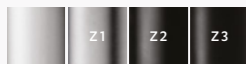
CUBE



MODEL CODE	WATER OPTIONS	SIZE* W X D X H (mm)
HT3783UK		338 x 461 x 335
HT3784UK		280 x 470 x 335
HT3787UK		280 x 405 x 335
HT3788UK		280 x 420 x 335
HT3786UK		280 x 313 x 335

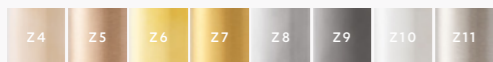
AVAILABLE IN:

STANDARD



PLATINUM

12 week lead time on Platinum Range



KEY TO ICONS



Model codes listed above are for chrome finishes. Please refer above for the Z code of your chosen finish.
 For example, when ordering HydroTap Arc, boiling, chilled and sparkling in brushed rose gold use code HT2783Z5UK.
 Please note HydroTap Classic is not available in Platinum finishes.
 Glass size is 200ml and cup size 167ml.

*Size relates to command centre – revert to installation diagram for clearance and ventilation.

ELITE



MODEL CODE	WATER OPTIONS	SIZE* W X D X H (mm)
HT4783UK		338 x 461 x 335
HT4784UK		280 x 470 x 335
HT4787UK		280 x 405 x 335
HT4788UK		280 x 420 x 335
HT4786UK		280 x 313 x 335

ALL-IN-ONE CELSIUS ARC



MODEL CODE	WATER OPTIONS	SIZE* W X D X H (mm)
MT2790UK		338 x 461 x 335
MT2792UK		280 x 470 x 335

CELSIUS ARC



MODEL CODE	WATER OPTIONS	SIZE* W X D X H (mm)
MT2787UK		280 x 405 x 335
MT2788UK		280 x 420 x 335
MT2786UK		280 x 313 x 335
MT2686UK BASE MODEL		216 x 272 x 338

CELSIUS CUBE



MODEL CODE	WATER OPTIONS	SIZE* W X D X H (mm)
MT3787UK		280 x 405 x 335
MT3788UK		280 x 420 x 335
MT3786UK		280 x 313 x 335
MT3686UK BASE MODEL		216 x 272 x 338

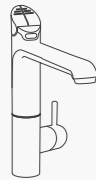
HydroTap for home

CLASSIC



MODEL CODE	WATER OPTIONS	SIZE* W X D X H (mm)
HT1783UK		338 x 461 x 335
HT1784UK		280 x 470 x 335
HT1787UK		280 x 405 x 335
HT1788UK		280 x 405 x 335
HT1786UK		280 x 313 x 335

ALL-IN-ONE CLASSIC



MAINS

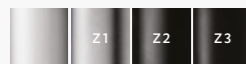
MODEL CODE	WATER OPTIONS	SIZE* W X D X H (mm)
HT1790UK		338 x 461 x 335
HT1792UK		280 x 470 x 335

VENTED

MODEL CODE	WATER OPTIONS	SIZE* W X D X H (mm)
HT1789UK		338 x 461 x 335
HT1791UK		280 x 470 x 335

AVAILABLE IN:

STANDARD



KEY TO ICONS



Model codes listed above are for chrome finishes. Please refer above for the Z code of your chosen finish. For example, when ordering HydroTap Classic, boiling, chilled and sparkling in matt black use code HT1783Z3UK. Please note HydroTap Classic is not available in Platinum finishes. Glass size is 200ml and cup size 167ml.

*Size relates to command centre – revert to installation diagram for clearance and ventilation.

Mixer Taps

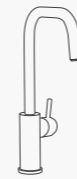
MIXER TAP ARC



MODEL CODE		HOT & COLD	FINISH
MAINS	VENTED		
93867UK	93865UK	●	Bright chrome
93871UK	93869UK	●	Brushed chrome
93875UK	93873UK	●	Gloss black
93879UK	93877UK	●	Matt black
93885UK	93883UK	●	Rose gold
94278UK	94276UK	●	Brushed rose gold
94284UK	94282UK	●	Gold
94290UK	94288UK	●	Brushed gold
94296UK	94294UK	●	Platinum
94302UK	94300UK	●	Gunmetal
94308UK	94306UK	●	Nickel
94314UK	94312UK	●	Brushed nickel

Mains - requires hot and cold feed
Vented - requires cold feed only

MIXER TAP CUBE

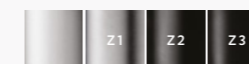


93868UK	93866UK	●	Bright chrome
93872UK	93870UK	●	Brushed chrome
93876UK	93874UK	●	Gloss black
93880UK	93878UK	●	Matt black
93886UK	93884UK	●	Rose gold
94279UK	94277UK	●	Brushed rose gold
94285UK	94283UK	●	Gold
94291UK	94289UK	●	Brushed gold
94297UK	94295UK	●	Platinum
94303UK	94301UK	●	Gunmetal
94309UK	94307UK	●	Nickel
94315UK	94313UK	●	Brushed nickel

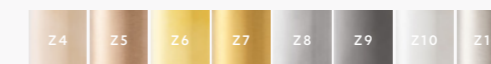
Mains - requires hot and cold feed
Vented - requires cold feed only

AVAILABLE IN:

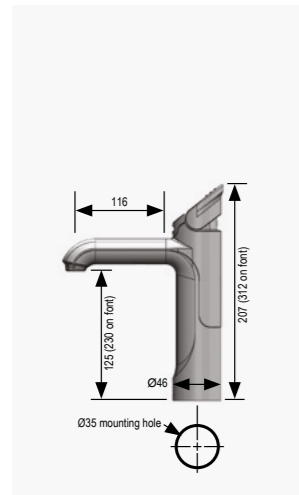
STANDARD



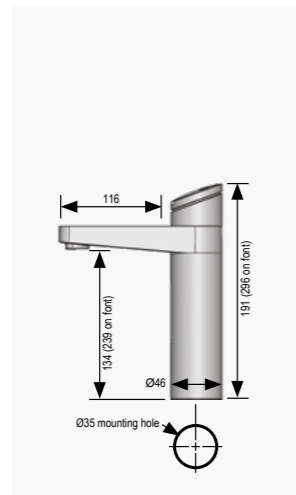
PLATINUM



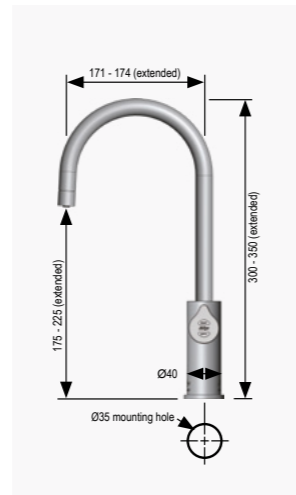
HydroTap dimensions (for work and home)



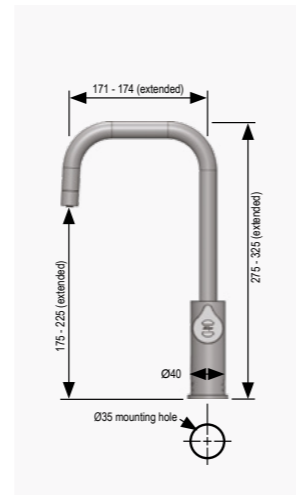
CLASSIC



ELITE

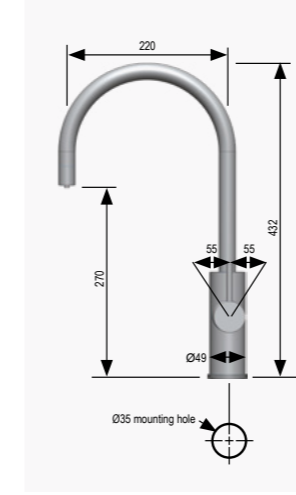


ARC

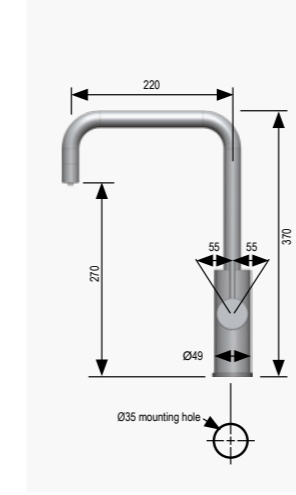


CUBE

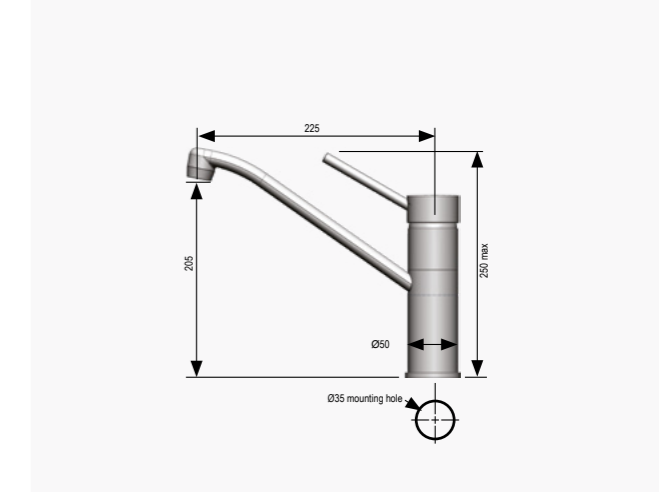
Mixer Tap dimensions



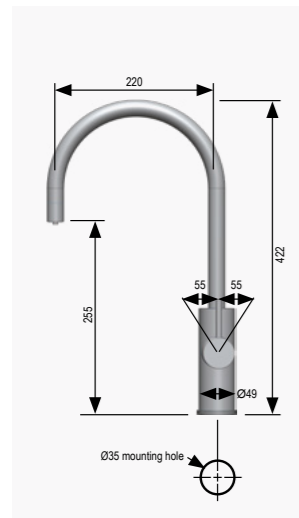
ARC MIXER TAP



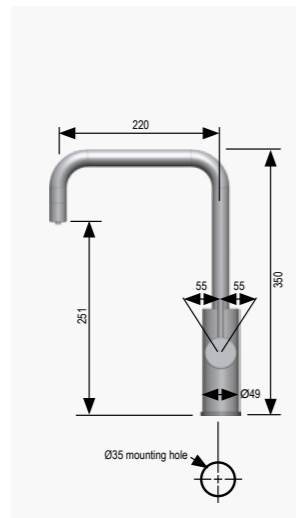
CUBE MIXER TAP



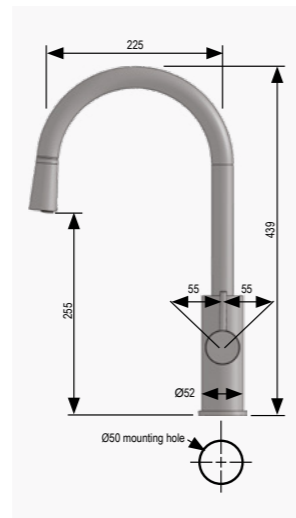
CLASSIC MIXER TAP



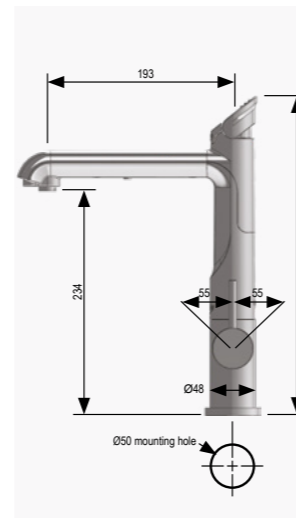
CELSIUS ARC



CELSIUS CUBE

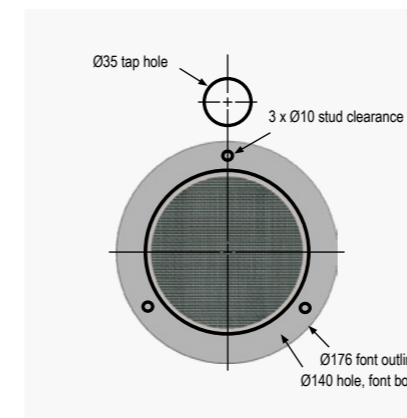


ALL-IN-ONE CELSIUS ARC

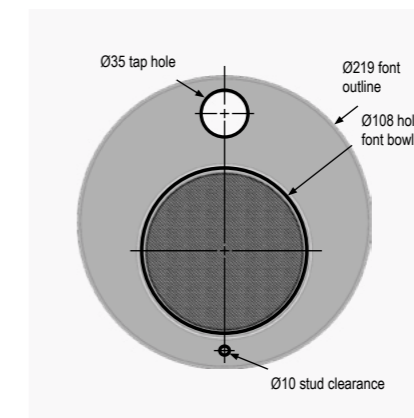


ALL-IN-ONE CLASSIC

HydroTap font dimensions



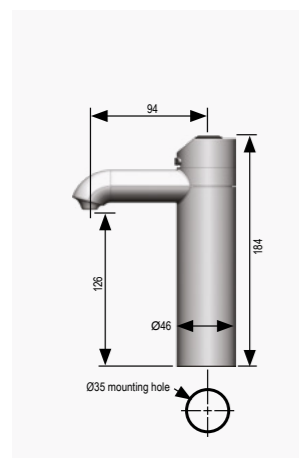
STANDALONE FONT



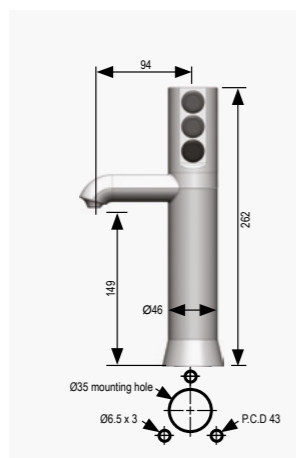
INTEGRATED FONT



INDUSTRIAL FONT



INDUSTRIAL TOP TOUCH



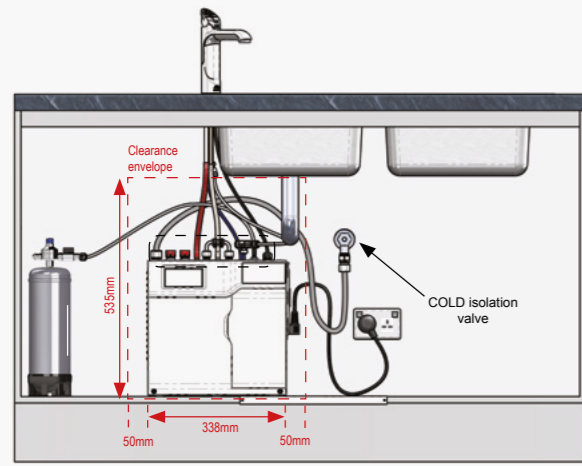
INDUSTRIAL SIDE TOUCH - 3 BUTTON

All dimensions nominal, in mm

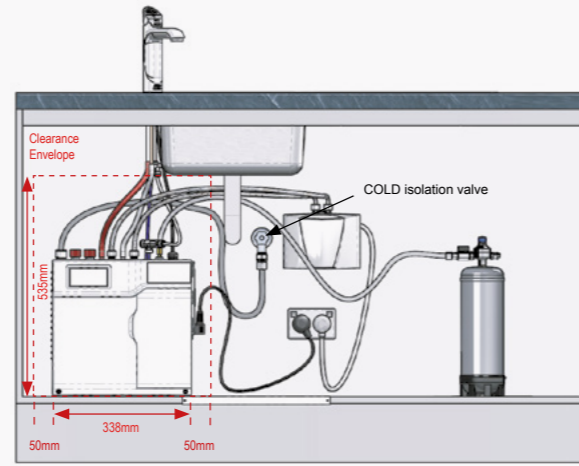
All dimensions nominal, in mm.

Disclaimer: for full installation details please refer to the installation instructions which can be found on the website.

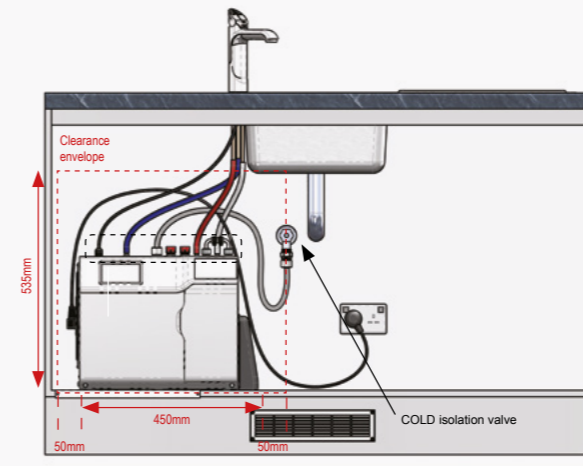
Under-counter command centres for work



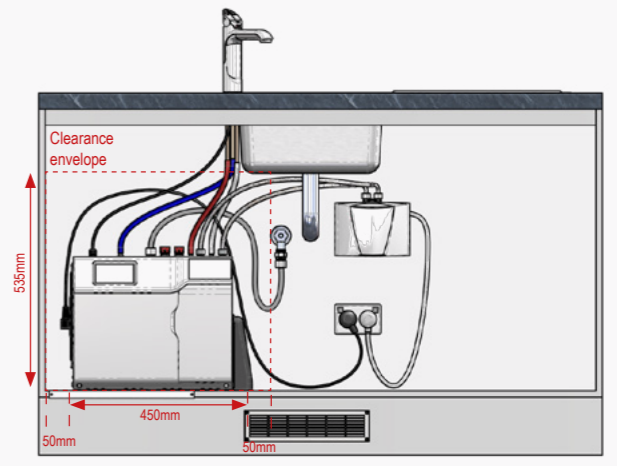
FILTERED **BOILING** | CHILLED | **SPARKLING**
100 / 75



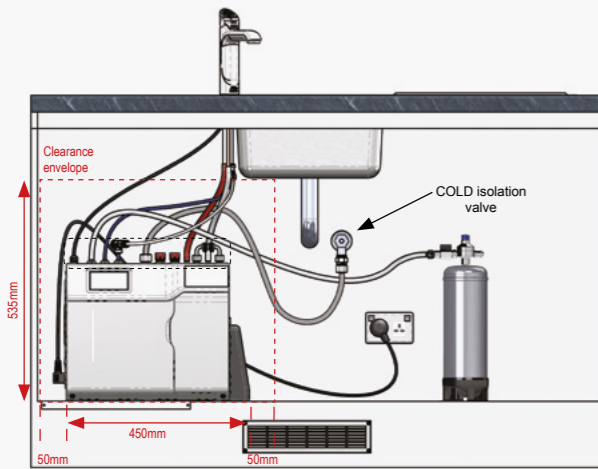
FILTERED **BOILING** | CHILLED | **SPARKLING**
140 / 75



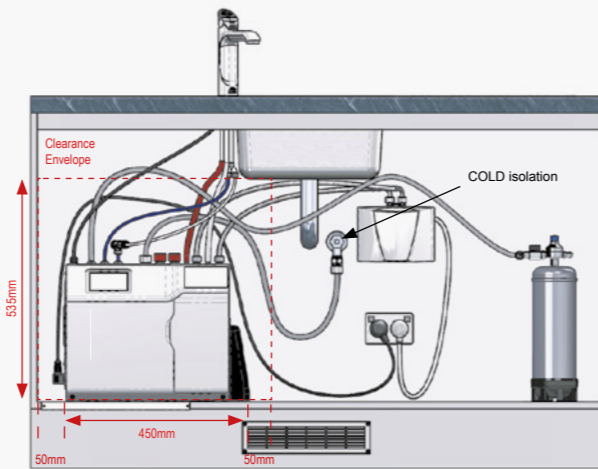
FILTERED **BOILING** | CHILLED
160 / 175



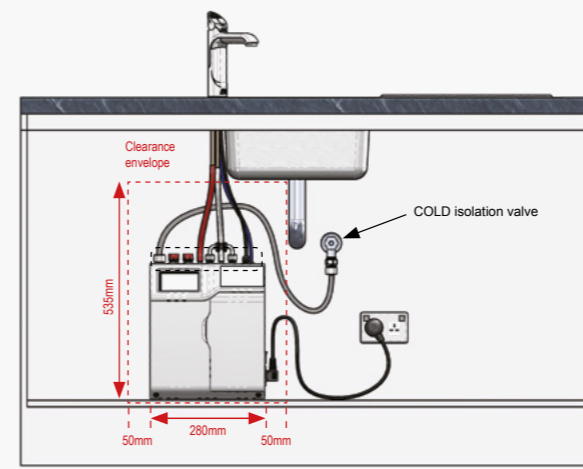
FILTERED **BOILING** | CHILLED
240 / 175



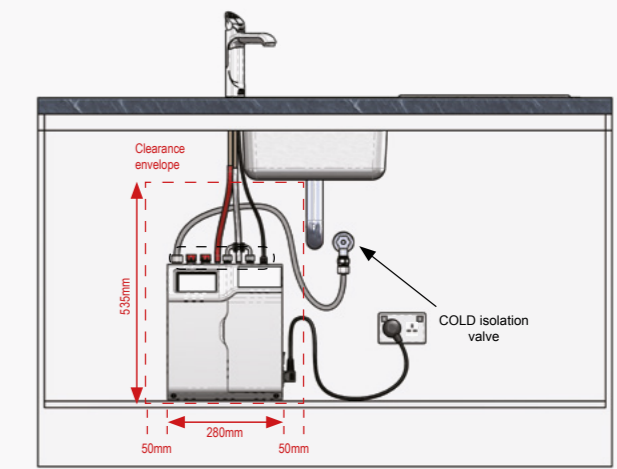
FILTERED **BOILING** | CHILLED | **SPARKLING**
160 / 175



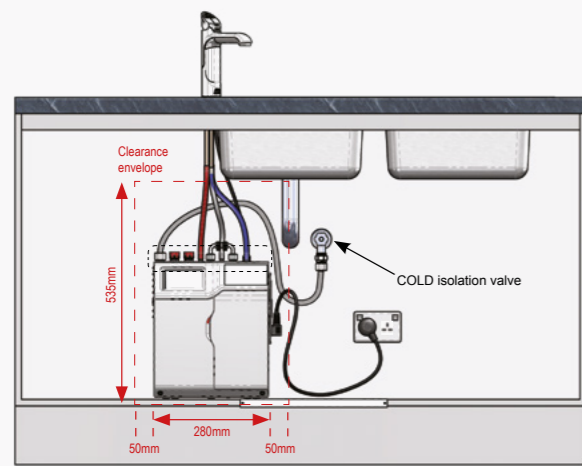
FILTERED **BOILING** | CHILLED | **SPARKLING**
240 / 175



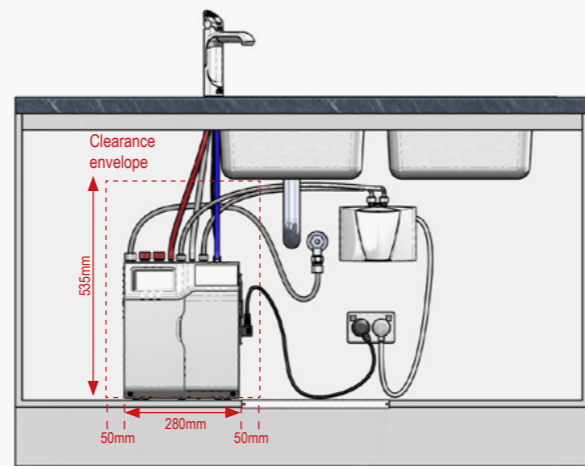
FILTERED **BOILING** | AMBIENT
160



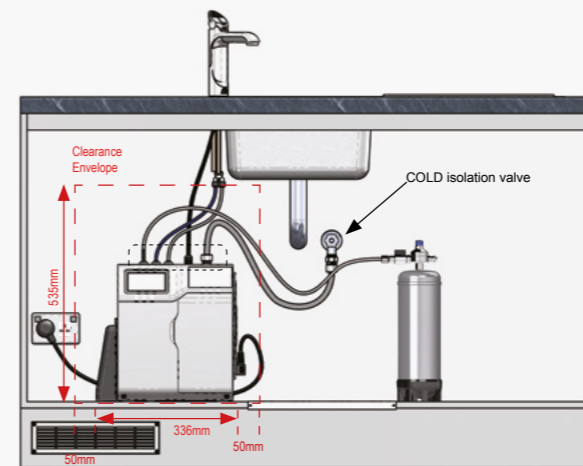
FILTERED **BOILING**
160



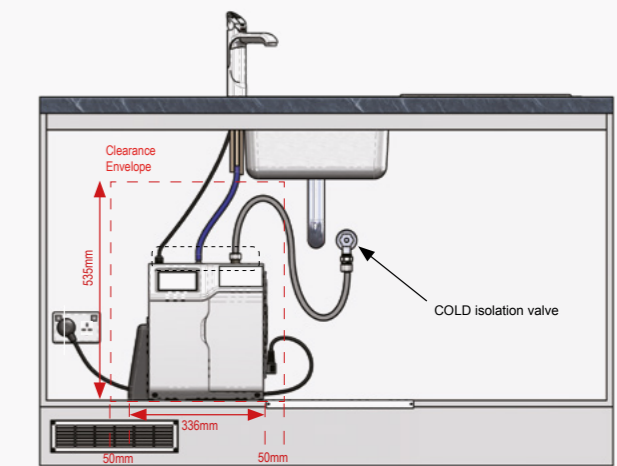
FILTERED **BOILING** | CHILLED
100 / 75



FILTERED **BOILING** | CHILLED
140 / 75



FILTERED CHILLED | **SPARKLING**
175

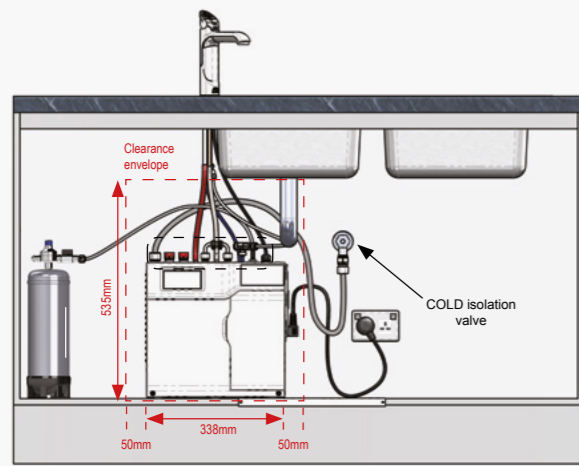


FILTERED CHILLED
175

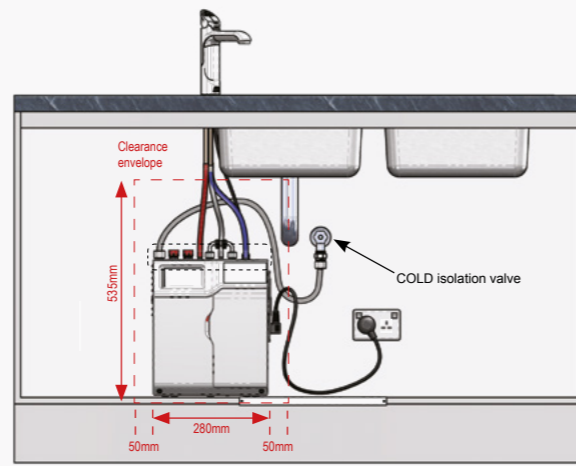
All dimensions nominal, in mm

All dimensions nominal, in mm

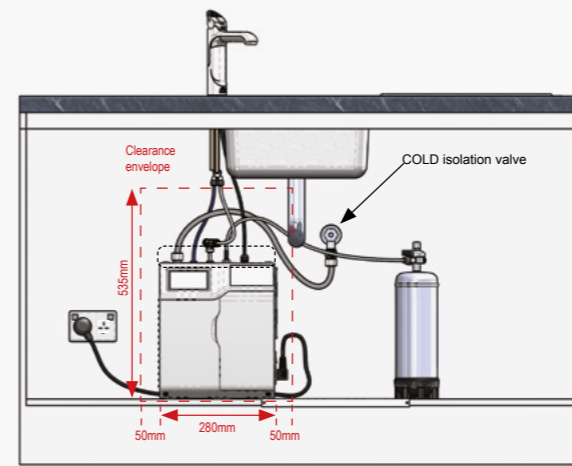
Under-counter command centres for home



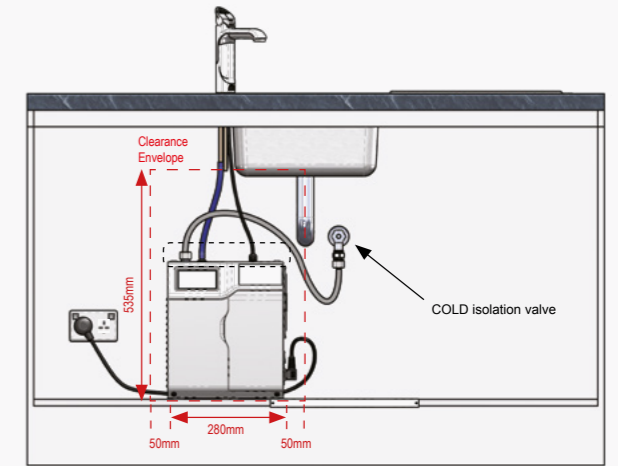
FILTERED **BOILING** | CHILLED | SPARKLING



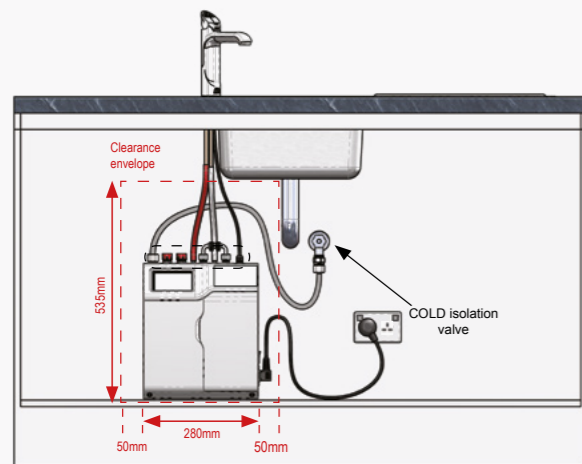
FILTERED **BOILING** | CHILLED



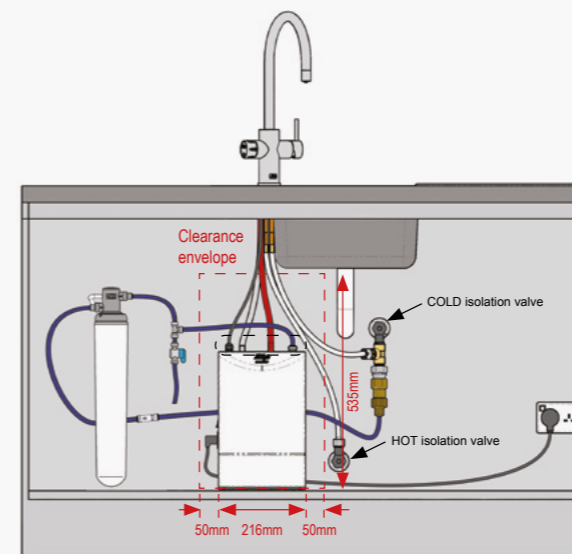
FILTERED **CHILLED** | SPARKLING



FILTERED **CHILLED**



FILTERED **BOILING**



FILTERED **BOILING** | HOT & COLD
HYDROTAP



For full installation instructions please visit specify.zipwater.co.uk

All dimensions nominal, in mm

All dimensions nominal, in mm

HydroChill

HYDROCHILL HC10

MODEL CODE	CAPACITY LITRES PER HOUR	WATER OPTIONS	DESCRIPTION	SIZE W X D X H (mm)
HC10CIT30	30		Push Button	261 x 499 x 418
HC10CIT45	45		Push Button	318 x 499 x 470
HC10IT30	30		Push Button	261 x 499 x 418
HC10ITU30	30		Push Button UV	261 x 499 x 418
HC10IT45	45		Push Button	318 x 499 x 470
HC10ITU45	45		Push Button UV	318 x 499 x 470

HYDROCHILL HC20

MODEL CODE	CAPACITY LITRES PER HOUR	WATER OPTIONS	DESCRIPTION	SIZE W X D X H (mm)
HC20CT80	80		Tap Dispense	360 x 565 x 566
HC20CIT80	80		Push Button	360 x 565 x 502
HC20CT150	150		Tap Dispense	460 x 606 x 618
HC20CIT150	150		Push Button	460 x 606 x 542
HC20T80	80		Tap Dispense	360 x 565 x 566
HC20IT80	80		Push Button	360 x 565 x 502
HC20ITU80	80		Push Button UV	360 x 565 x 502
HC20T150	150		Tap Dispense	460 x 606 x 618
HC20IT150	150		Push Button	460 x 606 x 542
HC20ITU150	150		Push Button UV	460 x 606 x 542











KEY TO ICONS

FILTERED
BOILINGFILTERED
CHILLEDFILTERED
SPARKLINGFILTERED
AMBIENTUNFILTERED
HOT & COLD

Ambient describes the temperature of the water where there is no additional heating or chilling to the incoming cold water supply.
You may need to run the tap for a while to get it to a suitable temperature.

HydroChill

HYDROCHILL HC50

MODEL CODE	CAPACITY LITRES PER HOUR	WATER OPTIONS	DESCRIPTION	SIZE W X D X H (mm)
HC50CT2A30	30		2 Spout Tap	260 x 416 x 416
HC50CT2P30	30		2 Spout Tap with badge	260 x 416 x 416
HC50T2A30	30		2 Spout Tap	260 x 416 x 416
HC50T2P30	30		2 Spout Tap with badge	260 x 416 x 416
HC50CT2A60	60		2 Spout Tap	318 x 335 x 547
HC50CT2P60	60		2 Spout Tap with badge	318 x 335 x 547
HC50T2A60	60		2 Spout Tap	318 x 335 x 547
HC50T2P60	60		2 Spout Tap with badge	318 x 335 x 547
HC50CT2A80	80		2 Spout Tap	318 x 457 x 554
HC50CT2P80	80		2 Spout Tap with badge	318 x 457 x 554
HC50T2A80	80		2 Spout Tap	318 x 457 x 554
HC50T2P80	80		2 Spout Tap with badge	318 x 457 x 554
HC50CT2A150	150		2 Spout Tap	460 x 460 x 608
HC50CT2P150	150		2 Spout Tap with badge	460 x 460 x 608
HC50T2A150	150		2 Spout Tap	460 x 460 x 608
HC50T2P150	150		2 Spout Tap with badge	460 x 460 x 608
HC50CT2A280	280		2 Spout Tap	550 x 760 x 808
HC50CT2P280	280		2 Spout Tap with badge	550 x 760 x 808
HC50T2A280	280		2 Spout Tap	550 x 760 x 808
HC50T2P280	280		2 Spout Tap with badge	550 x 760 x 808

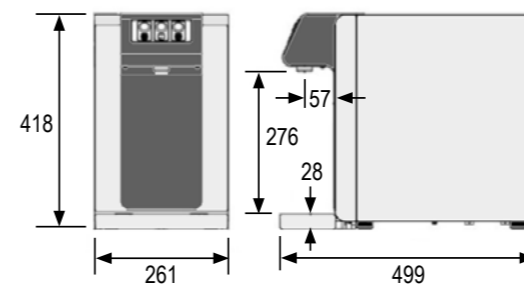
HydroChill

HYDROCHILL HC50

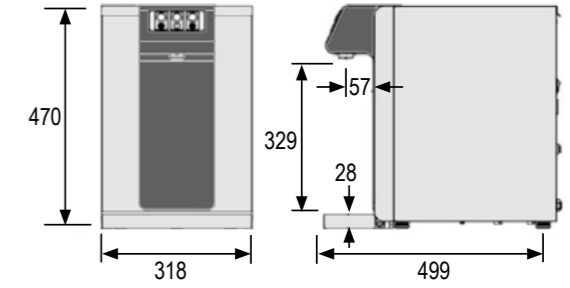
MODEL CODE	CAPACITY LITRES PER HOUR	WATER OPTIONS	DESCRIPTION	SIZE W X D X H (mm)
HC50T3A30	30		3 Spout Tap	260 x 416 x 416
HC50T3P30	30		3 Spout Tap with badge	260 x 416 x 416
HC50T3A60	60		3 Spout Tap	318 x 335 x 547
HC50T3P60	60		3 Spout Tap with badge	318 x 335 x 547
HC50T3A80	80		3 Spout Tap	318 x 457 x 554
HC50T3P80	80		3 Spout Tap with badge	318 x 457 x 554
HC50T3A150	150		3 Spout Tap	460 x 460 x 608
HC50T3P150	150		3 Spout Tap with badge	460 x 460 x 608

HC50CBIT30	30		Bridge Button Control	260 x 416 x 416
HC50BITU30	30		Bridge Button Control UV	260 x 416 x 416
HC50BIT60	60		Bridge Button Control	318 x 335 x 547
HC50BITU60	60		Bridge Button Control UV	318 x 335 x 547
HC50BIT80	80		Bridge Button Control	318 x 457 x 554
HC50BITU80	80		Bridge Button Control UV	318 x 457 x 554
HC50BIT150	150		Bridge Button Control	460 x 460 x 608
HC50BITU150	150		Bridge Button Control UV	460 x 460 x 608
HC50BIT280	280		Bridge Button Control	550 x 760 x 808
HC50BITU280	280		Bridge Button Control UV	550 x 760 x 808

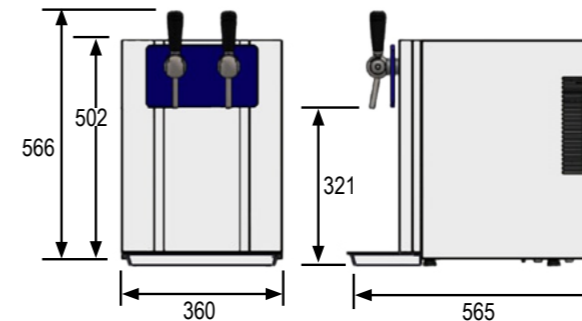
HydroChill counter-top



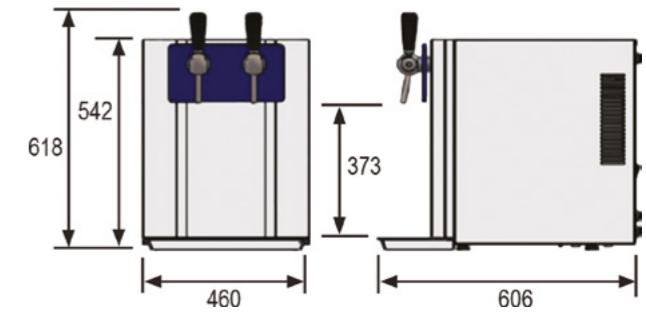
HC10 30 LITRE



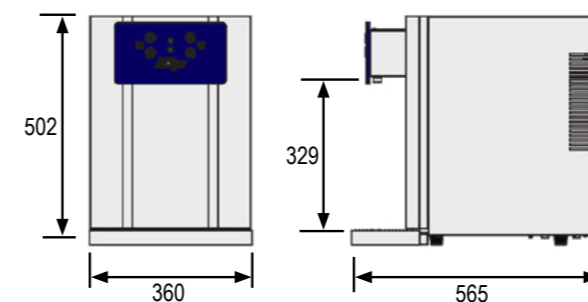
HC10 45 LITRE



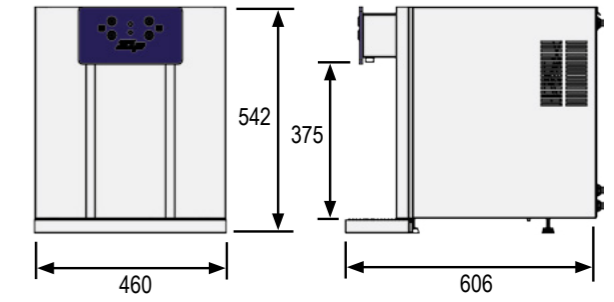
HC20T 80 LITRE



HC20T 150 LITRE

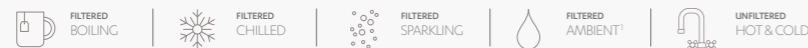


HC20IT 80 LITRE



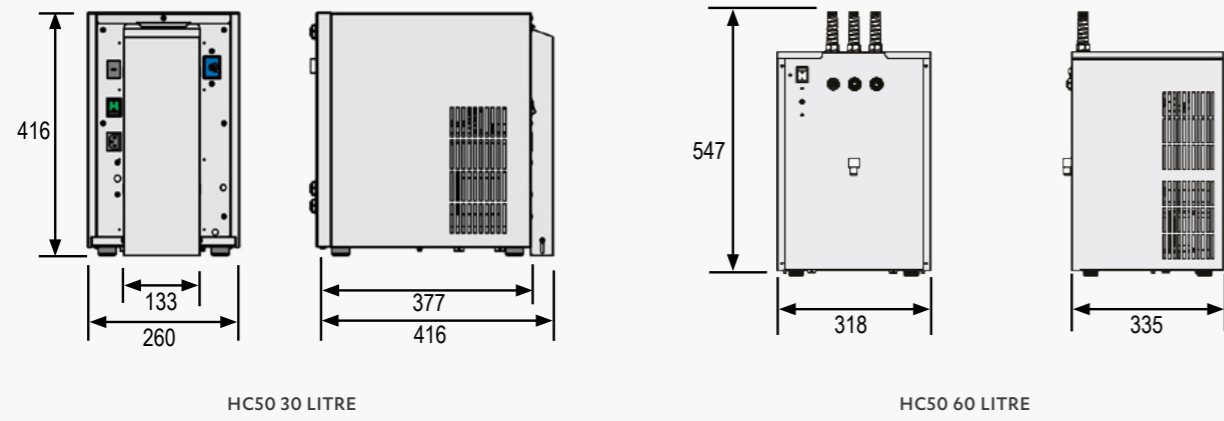
HC20IT 150 LITRE

KEY TO ICONS



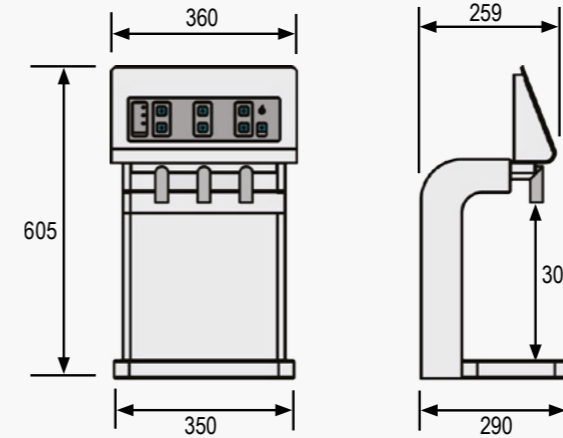
*'Ambient' describes the temperature of the water where there is no additional heating or chilling to the incoming cold water supply. You may need to run the tap for a while to get it to a suitable temperature.

HydroChill under-counter

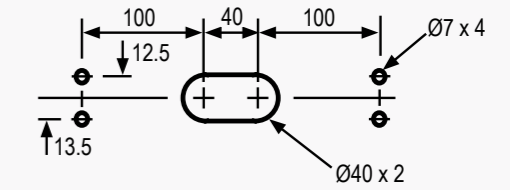


HydroChill taps (under-counter options)

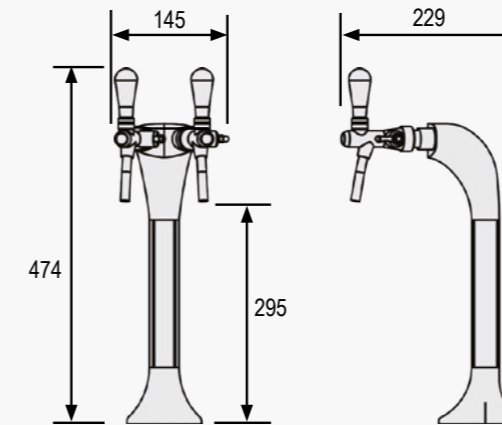
HC50 BRIDGE



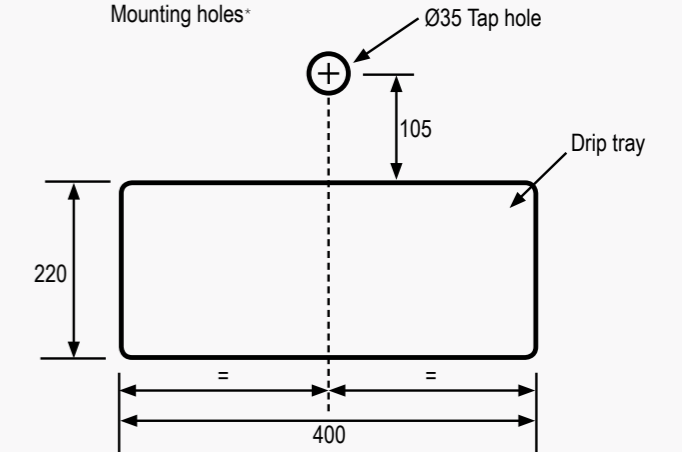
Mounting holes



HC50 2 SPOUT

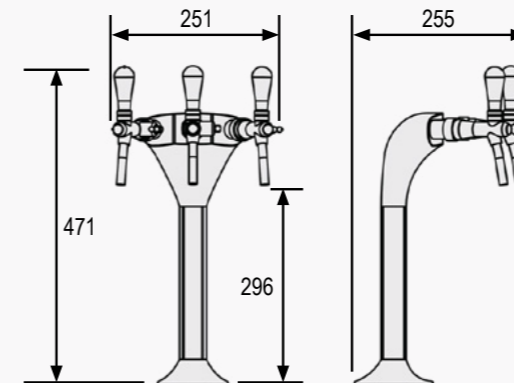


Mounting holes*

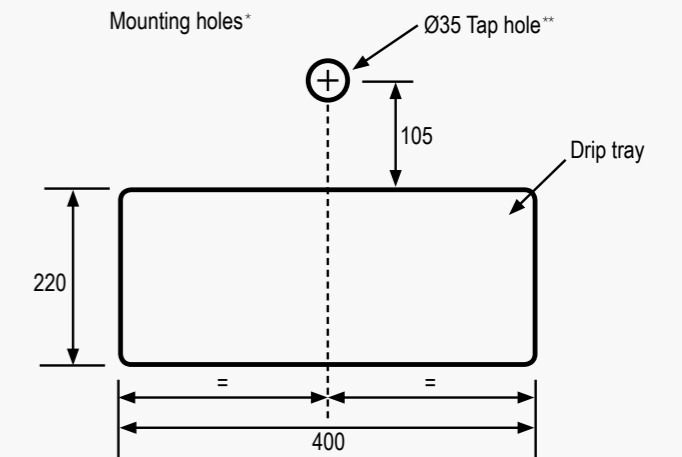


*in relation to drip tray 937775

HC50 3 SPOUT

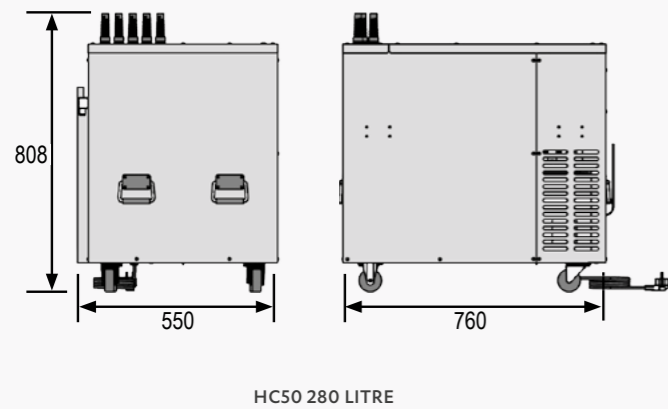
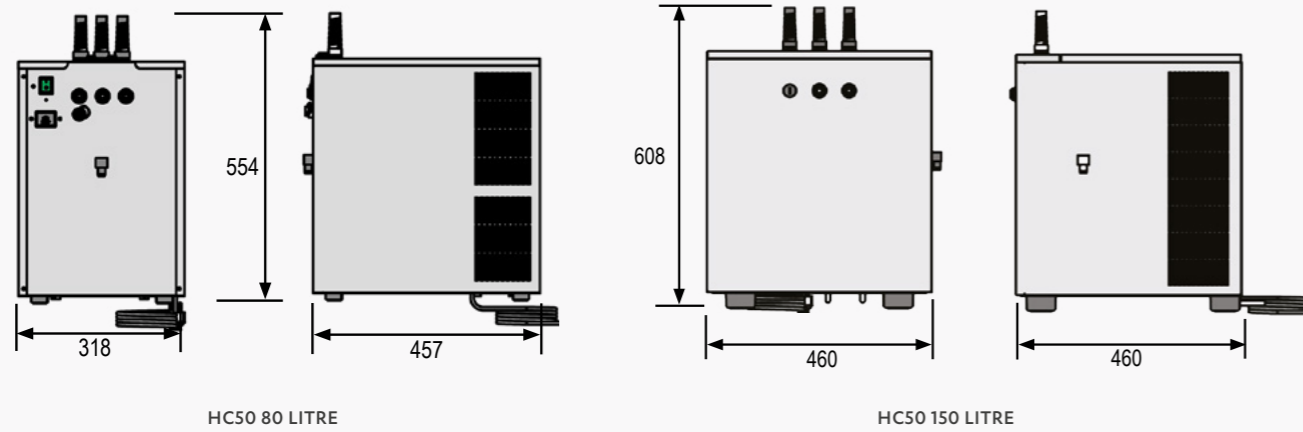


Mounting holes*



*in relation to drip tray 937775

**Three spout HydroChill tap with badges requires a 50mm tap hole



HydroBoil

ECONOBOIL

CODE	TANK SIZE (LITRES)	HEAT UP TIME (INLET 15°C)	HEAT UP TIME (INLET 10°C)	POWER RATING kW@230V	FILLED WEIGHT (kg)	SIZE W X D X H (mm)
303542	3.0	16 mins	17 mins	1.4	12.5	289 x 180 x 431
305542	5.0	16 mins	17 mins	2.2	16.5	318 x 198 x 465

HYDROBOIL

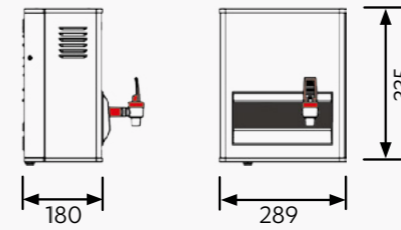
CODE	TANK SIZE (LITRES)	HEAT UP TIME (INLET 15°C)	HEAT UP TIME (INLET 10°C)	POWER RATING kW@230V	FILLED WEIGHT (kg)	SIZE W X D X H (mm)
301552	1.5	10 mins	11 mins	1.4	10.0	289 x 180 x 335
303552	3.0	16 mins	17 mins	1.4	12.5	289 x 180 x 431
305552	5.0	16 mins	17 mins	2.2	16.5	318 x 198 x 465
307552	7.5	23 mins	23 mins	2.2	20.5	318 x 198 x 578
310552	10	38 mins	40 mins	2.8	29.5	390 x 244 x 600
315552	15	40 mins	43 mins	2.8	34.5	390 x 299 x 600
325552	25	47 mins	50 mins	2.8	47.0	390 x 299 x 780
340552	40	60 mins	64 mins	5.6	71.0	515 x 284 x 840

HYDROBOIL PLUS

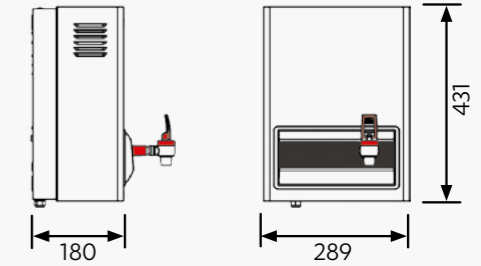
CODE	TANK SIZE (LITRES)	HEAT UP TIME (INLET 15°C)	HEAT UP TIME (INLET 10°C)	POWER RATING kW@230V	FILLED WEIGHT (kg)	SIZE W X D X H (mm)
303562	3.0	16 mins	17 mins	1.4	12.5	289 x 180 x 431
305562	5.0	16 mins	17 mins	2.2	16.5	318 x 198 x 465
307562	7.5	23 mins	24 mins	2.2	20.5	318 x 198 x 578

HydroBoil dimensions

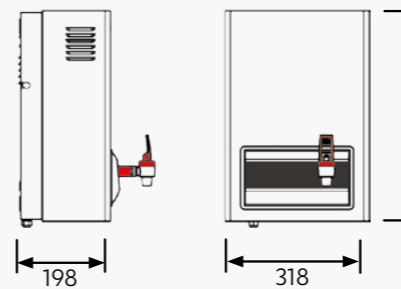
301552 1.5 litre



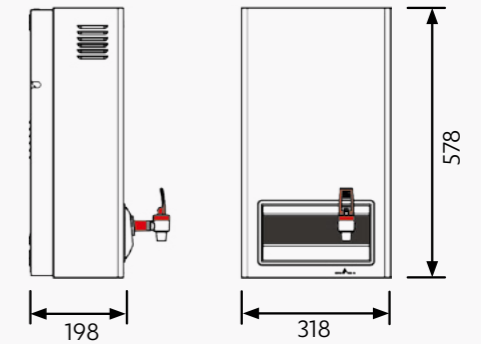
303552 3.0 litre



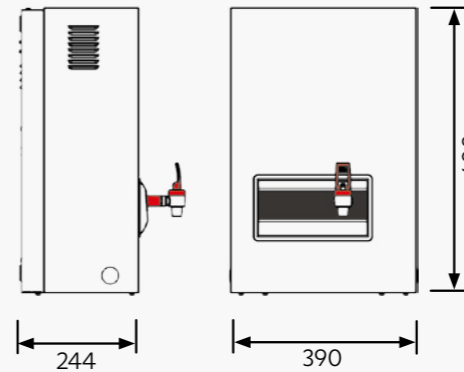
305552 5.0 litre



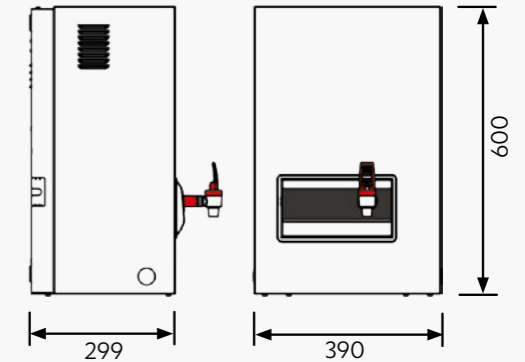
307552 7.5 litre



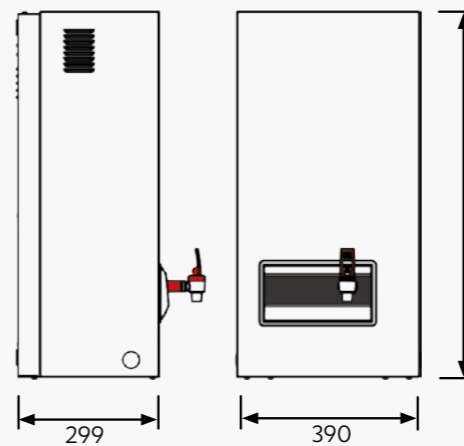
310552 10 litre



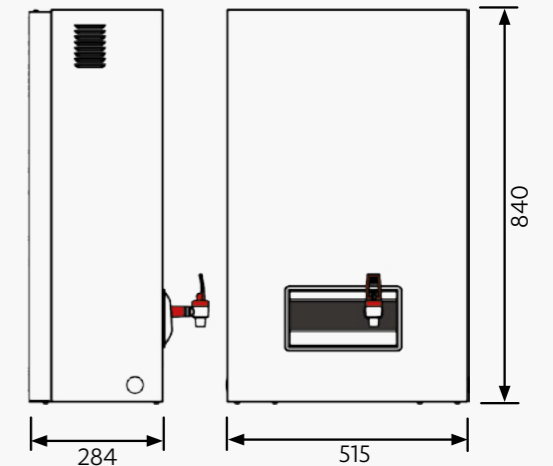
315552 15 litre



325552 25 litre



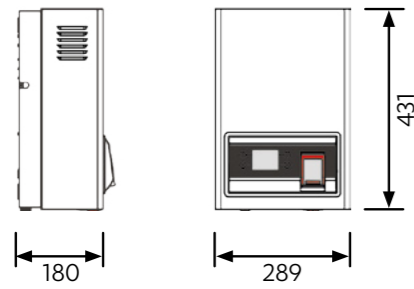
340552 40 litre



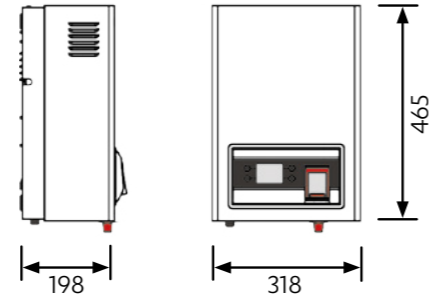
All dimensions nominal, in mm

HydroBoil Plus dimensions

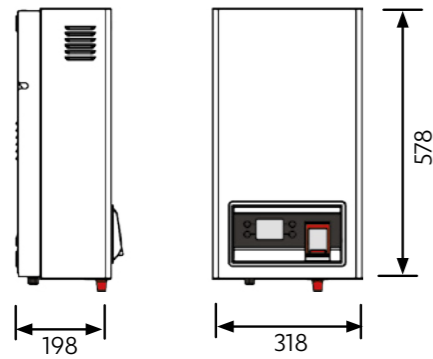
303562 3.0 litre



303552 5.0 litre

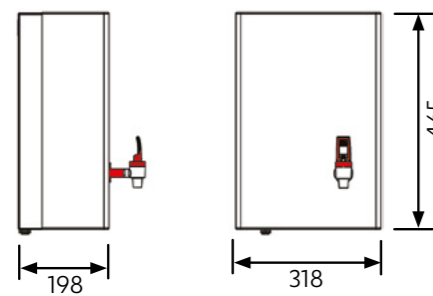


307562 7.5 litre

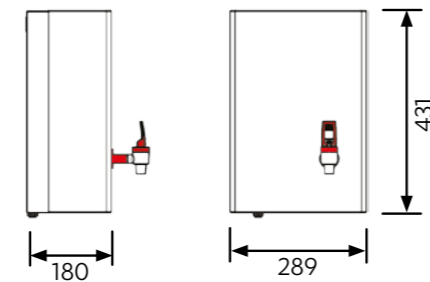


EconoBoil dimensions

305542 5.0 litre



303542 3.0 litre



ChillTap, FilterTap and Chillmaster

For work

CHILLTAP EXTRA

CODE	GLASSES PER HOUR	WATER OPTIONS	POWER RATING kW@230V	FILLED WEIGHT (kg)	SIZE W X D X H (mm)
CTZ/140	140		0.45	24	355 x 290 x 385

CHILLTAP

CODE	GLASSES PER HOUR	WATER OPTIONS	POWER RATING kW@230V	FILLED WEIGHT (kg)	SIZE W X D X H (mm)
CH103	140		0.45	24	355 x 290 x 385

CHILLMASTER

CODE	GLASSES PER HOUR	WATER OPTIONS	POWER RATING kW@230V	FILLED WEIGHT (kg)	SIZE W X D X H (mm)
CH101	140		0.3	26.8	350 x 350 x 530
CH102	140		0.3	26.8	350 x 350 x 530

For home

CHILLTAP EXTRA

CODE	GLASSES PER HOUR	WATER OPTIONS	POWER RATING kW@230V	FILLED WEIGHT (kg)	SIZE W X D X H (mm)
CT1002UK	60		0.245	19.8	355 x 290 x 385

CHILLTAP

CODE	GLASSES PER HOUR	WATER OPTIONS	POWER RATING kW@230V	FILLED WEIGHT (kg)	SIZE W X D X H (mm)
CT1001UK	60		0.245	19.8	355 x 290 x 385

FILTERTAP

CODE	GLASSES PER HOUR	WATER OPTIONS	POWER RATING kW@230V	FILLED WEIGHT (kg)	SIZE W X D X H (mm)
FT1001UK	N/A		-	-	-

All dimensions nominal, in mm

Glass size is 200ml

KEY TO ICONS



FILTERED BOILING



FILTERED CHILLED



FILTERED SPARKLING



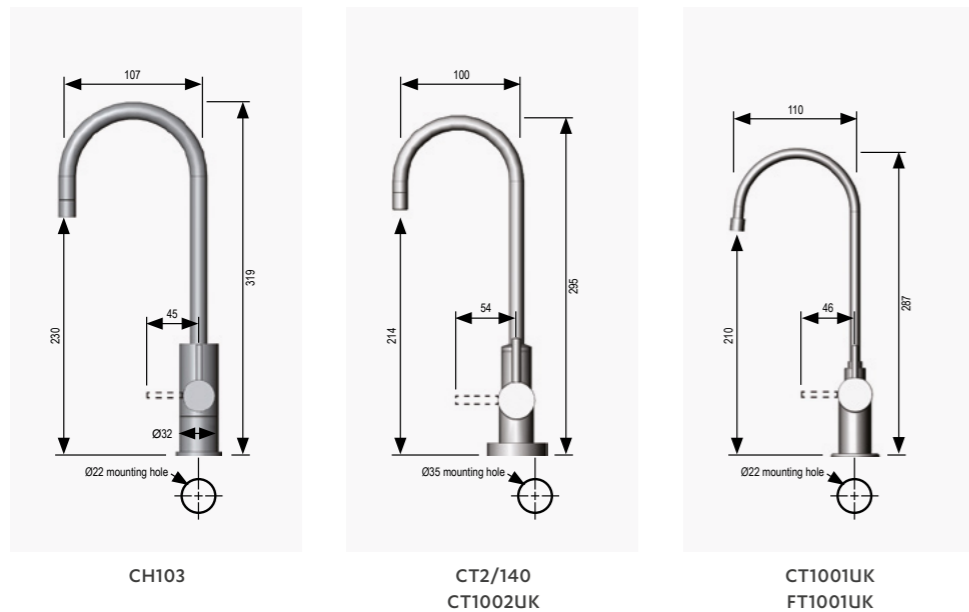
FILTERED AMBIENT*



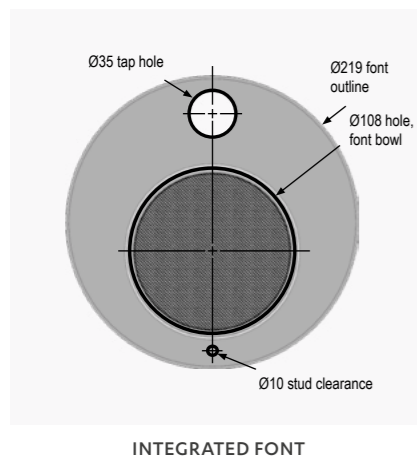
UNFILTERED HOT & COLD

Ambient describes the temperature of the water where there is no additional heating or chilling to the incoming cold water supply. You may need to run the tap for a while to get it to a suitable temperature.

ChillTap dimensions



ChillTap font dimensions



All dimensions nominal, in mm

E&OE: Whilst we make every effort to ensure that all details published are correct, no responsibility will be accepted for errors and omissions. Zip Water reserve the right to modify the specification of its products without notice and make every effort to maintain the accuracy of the information contained in this publication.

The terms 'Zip', 'HydroTap', 'HydroChill', 'HydroBoil', 'EconoBoil', 'ChillTap', 'FilterTap' and 'Chillmaster' are all registered trademarks.





0345 6 005 005

[specify.zipwater.co.uk](https://www.specify.zipwater.co.uk)